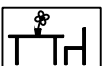
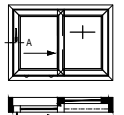


Schema A



scale 1:1

01_S_01_vario-slide*

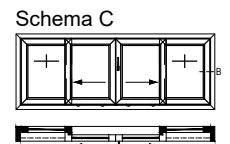
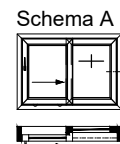
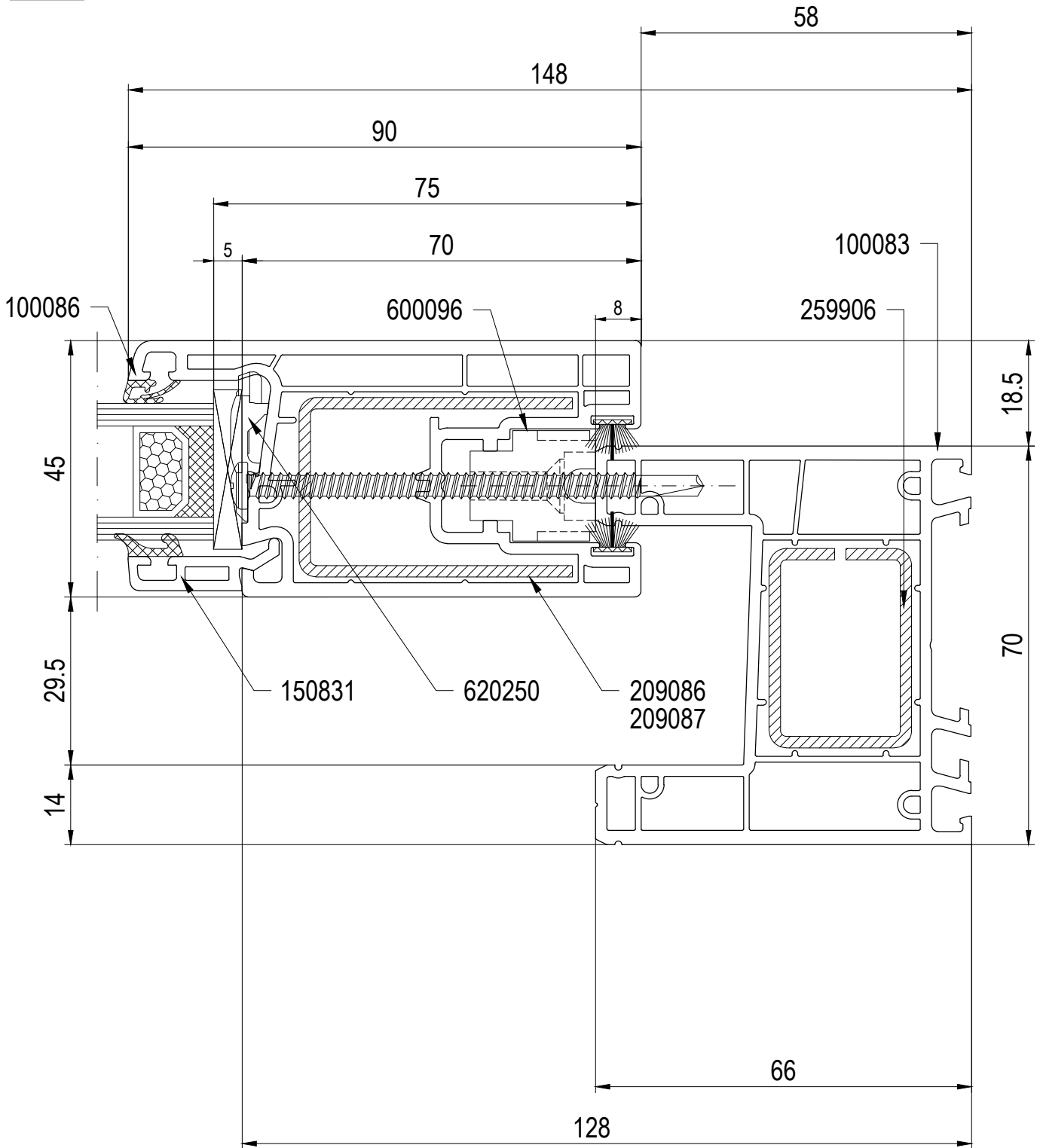
en May be subject to change and errors excepted!

Combinations: Main profiles

Cross section: Sliding sash, inside

Schema A

Cross section A



scale 1:1

01_S_01_vario-slide*

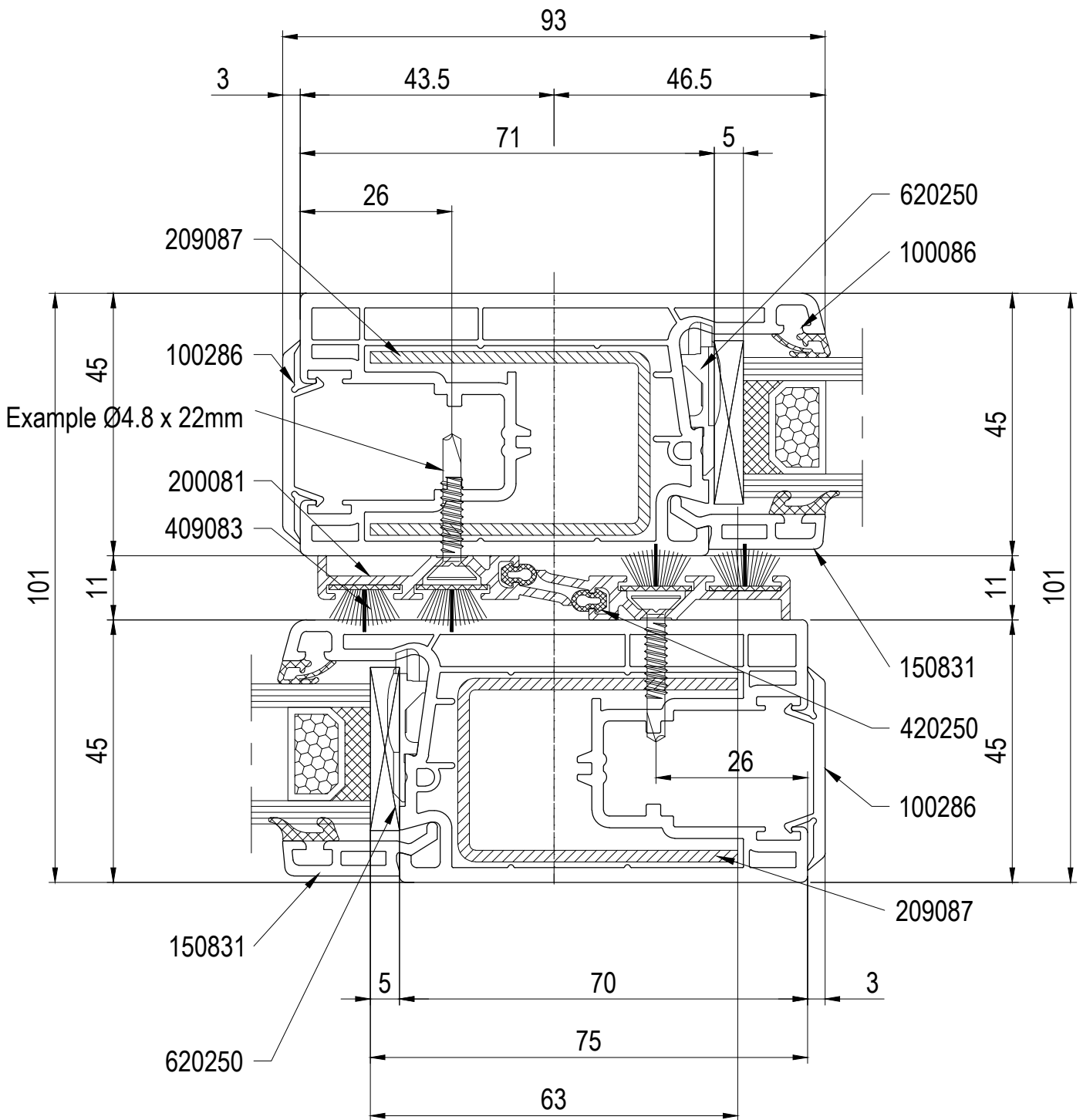
en May be subject to change and errors excepted!

Combinations: Main profiles

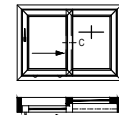
Cross section: Sliding sash, inside

Schema A / C

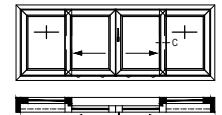
Cross section B



Schema A



Schema C



scale 1:1

01_S_01_vario-slide*

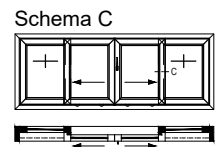
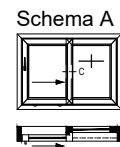
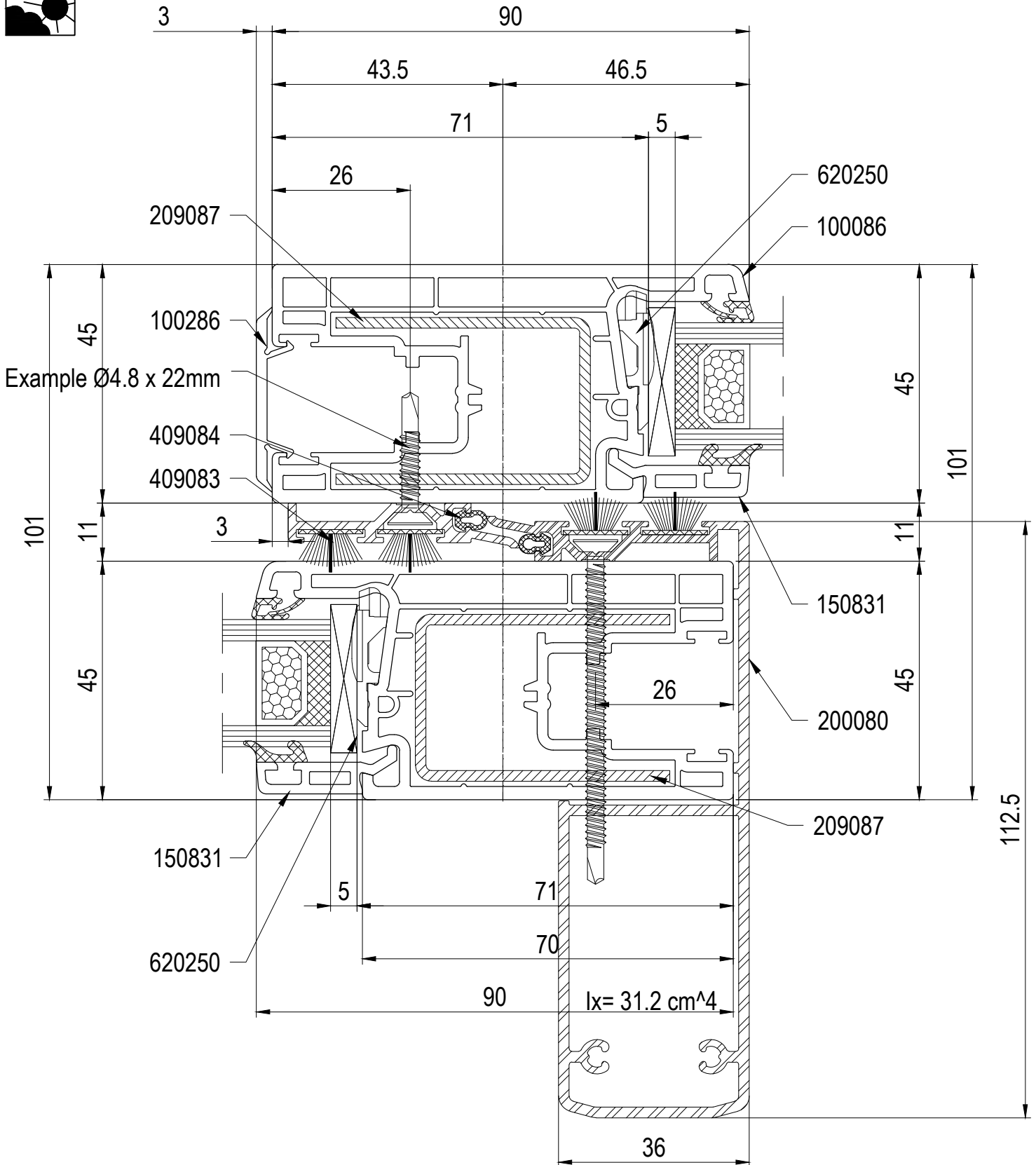
en May be subject to change and errors excepted!

Combinations: Main profiles

Cross section: Sliding sash, inside

Schema A / C

Cross section C



scale 1:1

01_S_01_vario-slide*

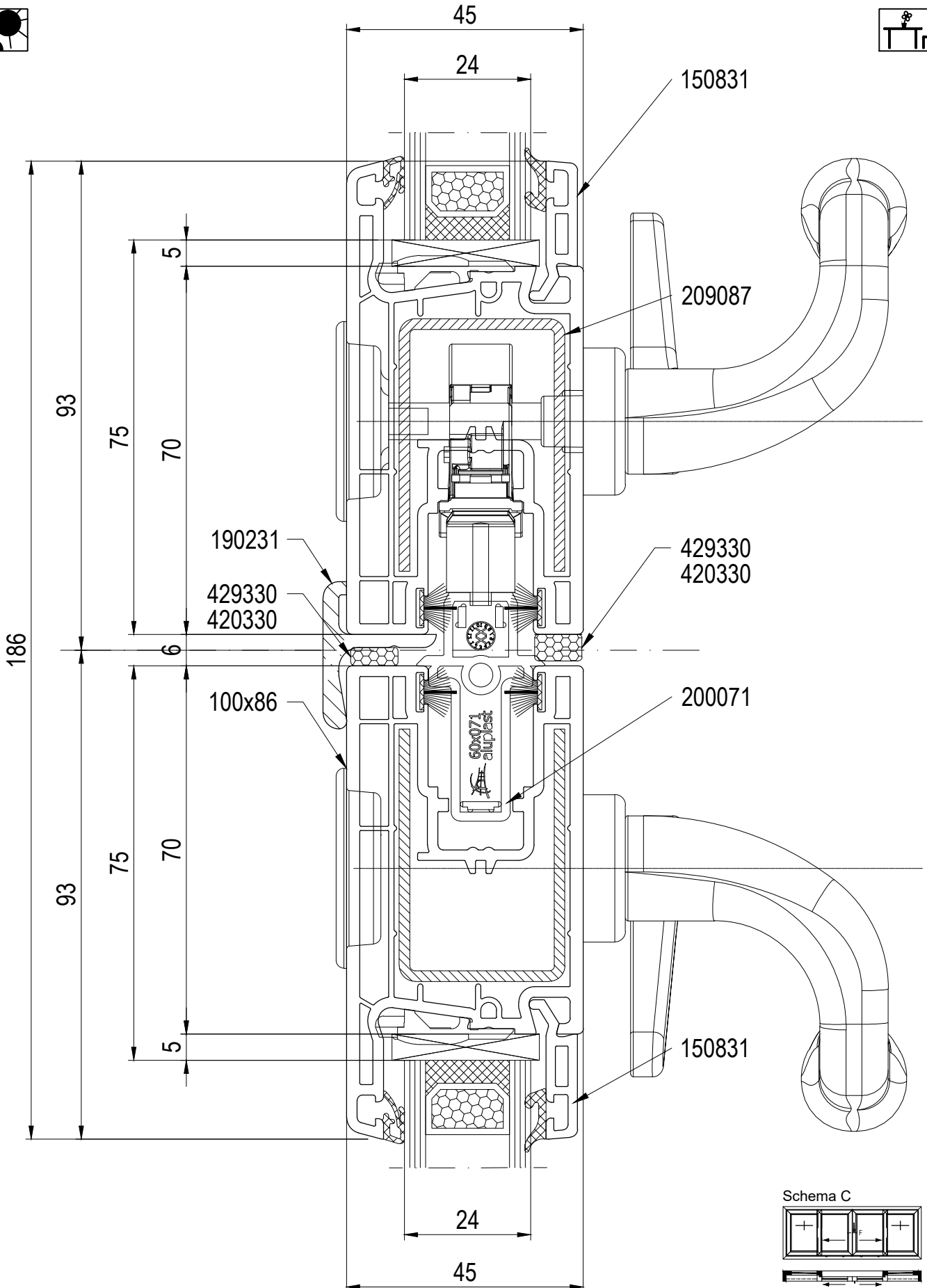
en May be subject to change and errors excepted!

Combinations: Main profiles

Cross section: Sliding sash, inside

Schema A / C

Cross section C



scale 1:1

01_S_01_vario-slide*

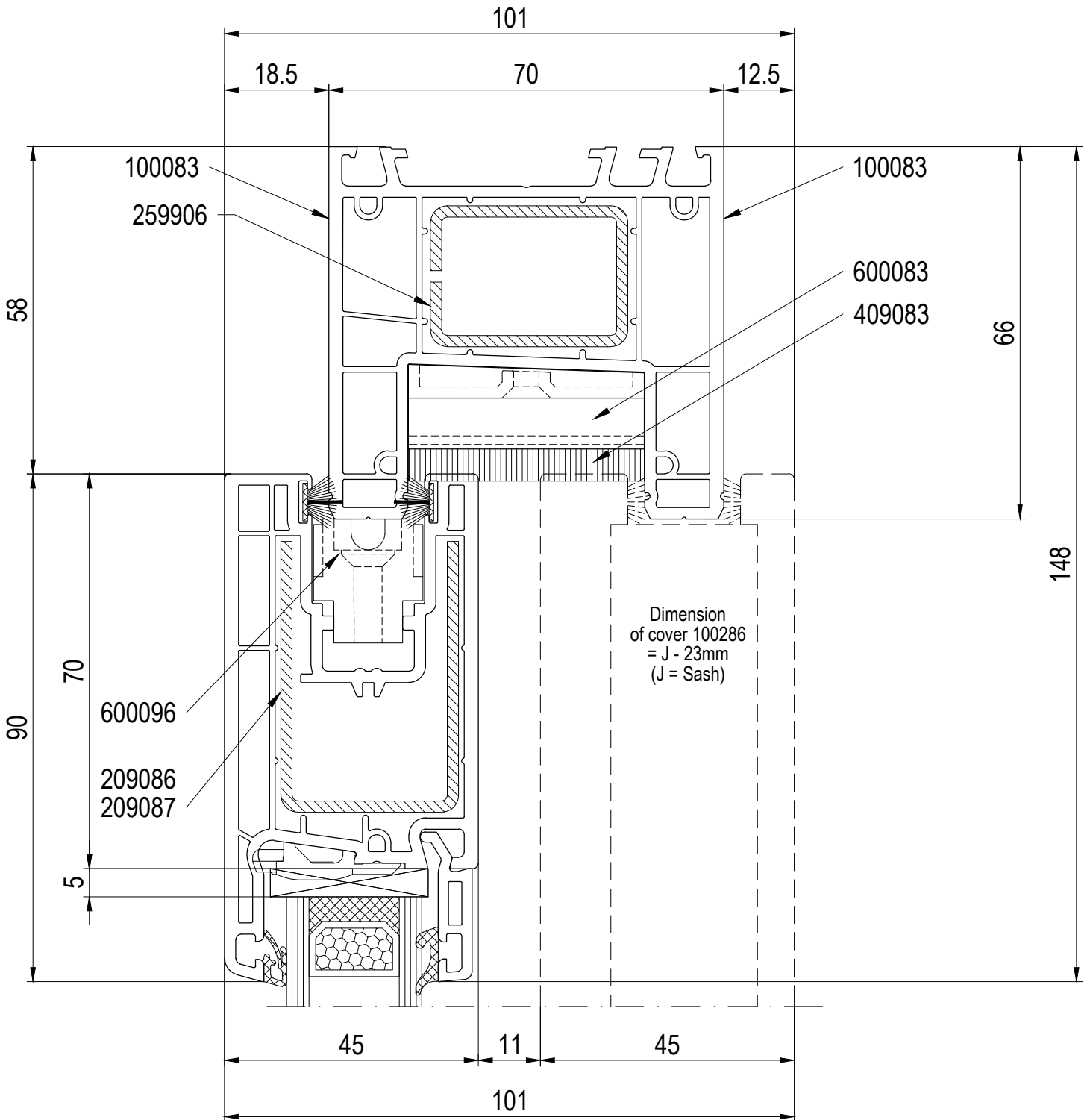
en May be subject to change and errors excepted!

Combinations: Main profiles

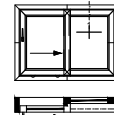
Cross section: Sliding sash, inside

Schema C

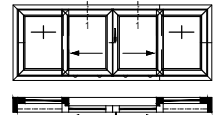
Cross section F



Schema A



Schema C



scale 1:1

01_S_01_vario-slide*

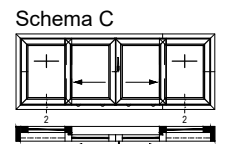
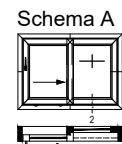
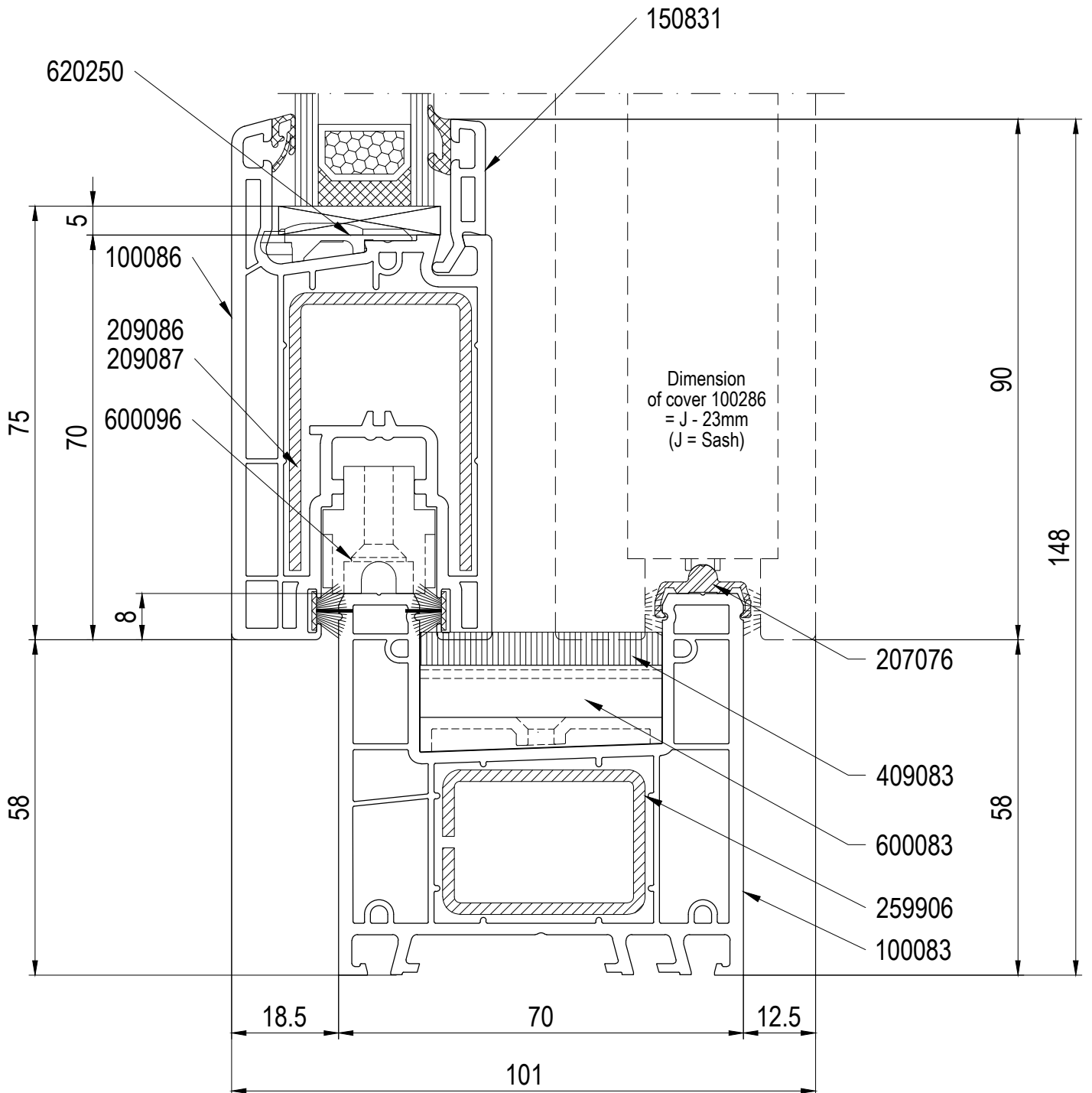
en May be subject to change and errors excepted!

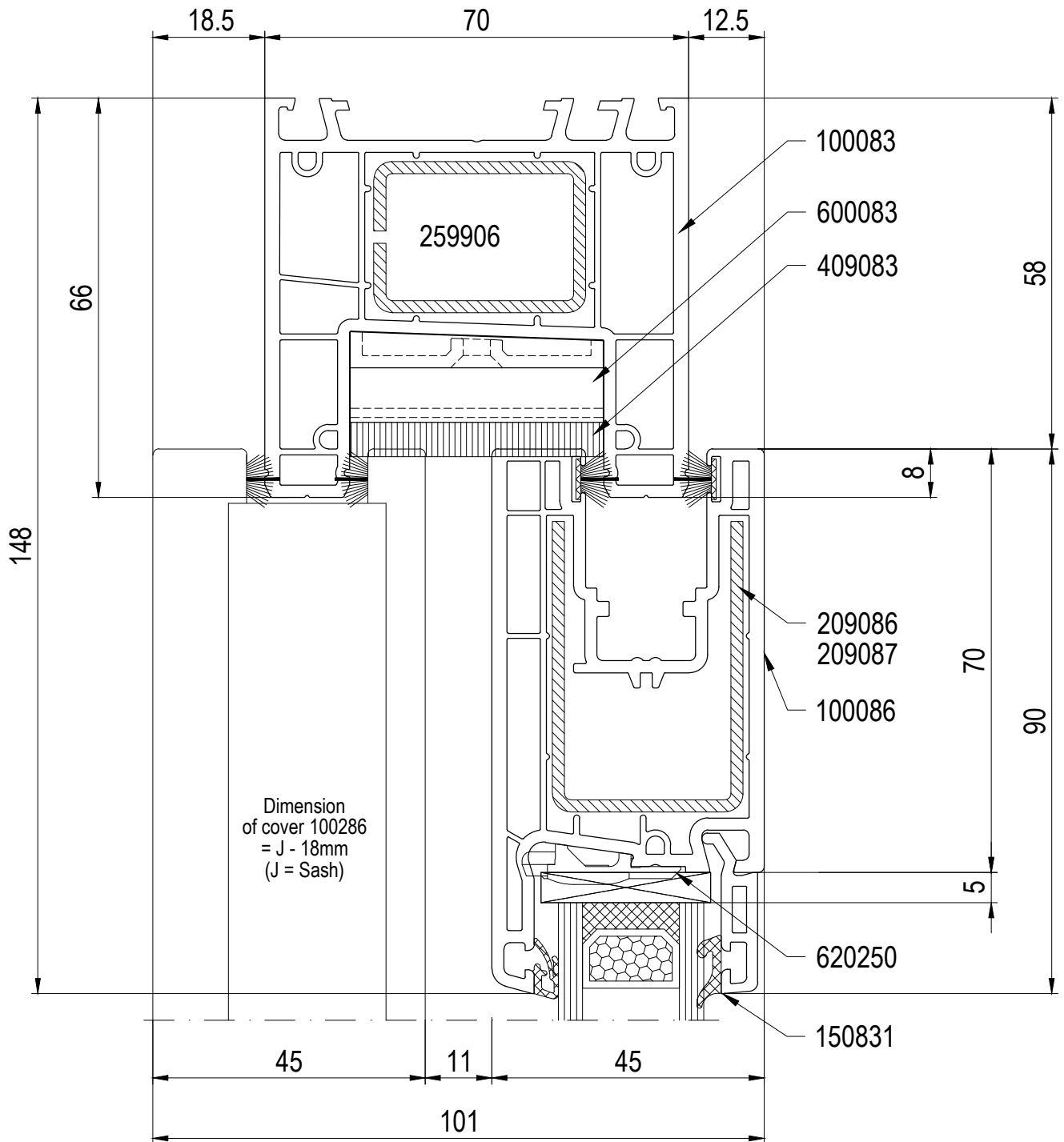
Combinations: Main profiles

Cross section: Sliding sash, inside

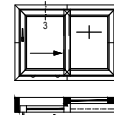
Schema A / C

Cross section 1

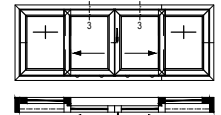




Schema A



Schema C



scale 1:1

01_S_01_vario-slide*

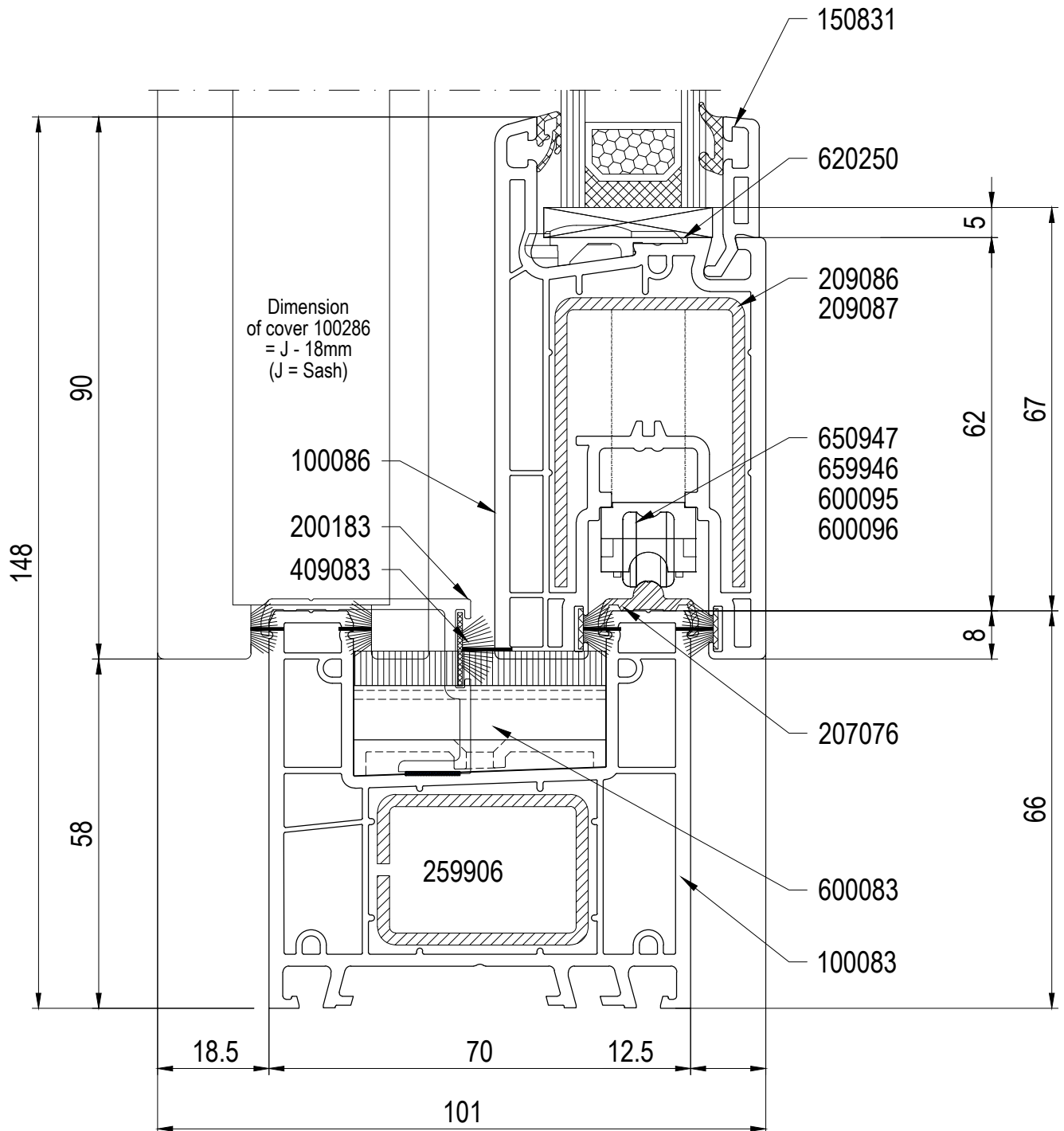
en May be subject to change and errors excepted!

Combinations: Main profiles

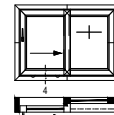
Cross section: Sliding sash, inside

Schema A / C

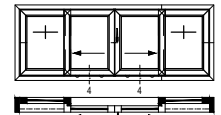
Cross section 3



Schema A



Schema C



scale 1:1

01_S_01_vario-slide*

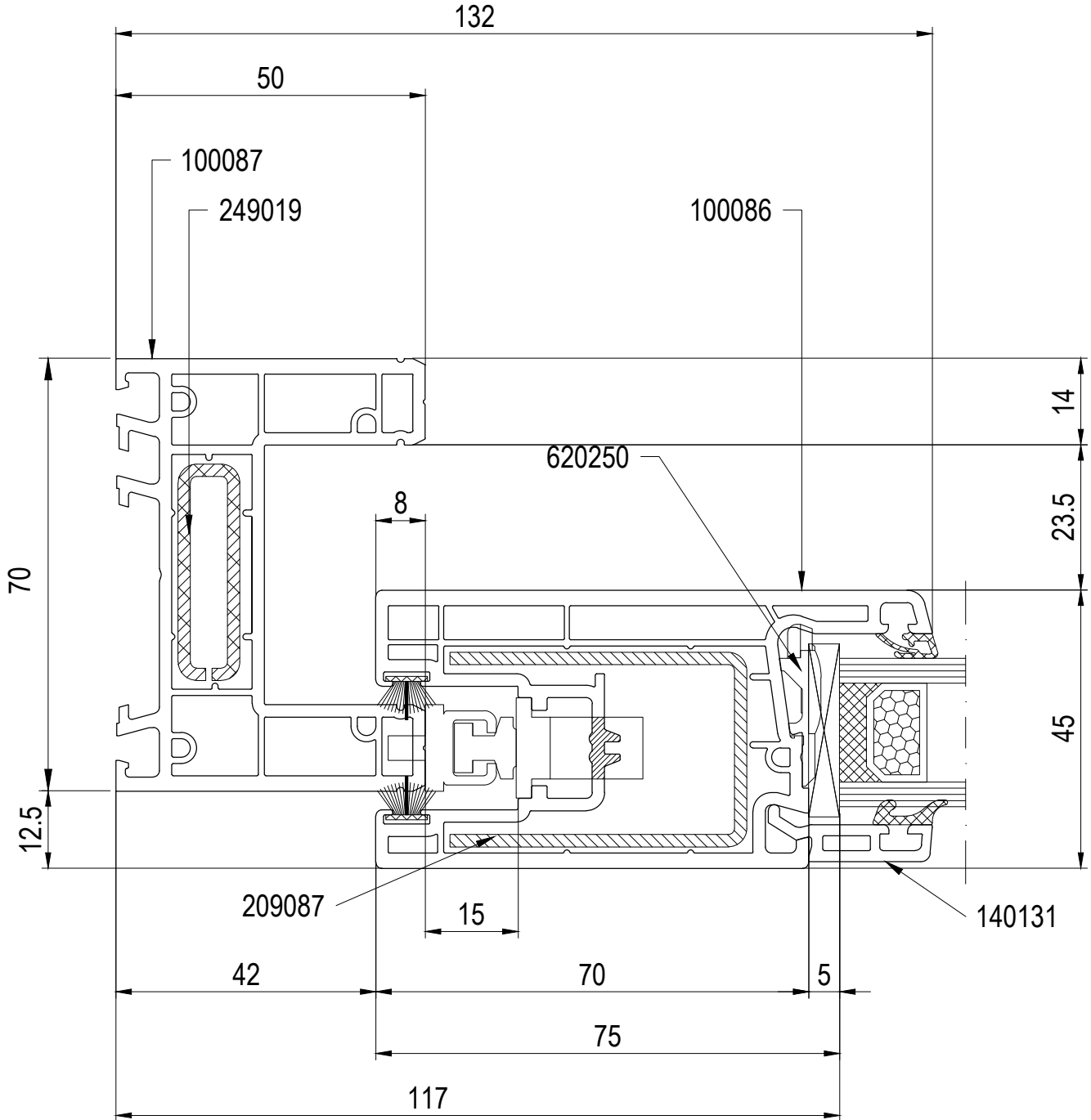
en May be subject to change and errors excepted!

Combinations: Main profiles

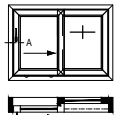
Cross section: Sliding sash, inside

Schema A / C

Cross section 4



Schema A



scale 1:1

01_S_01_vario-slide*

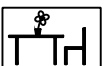
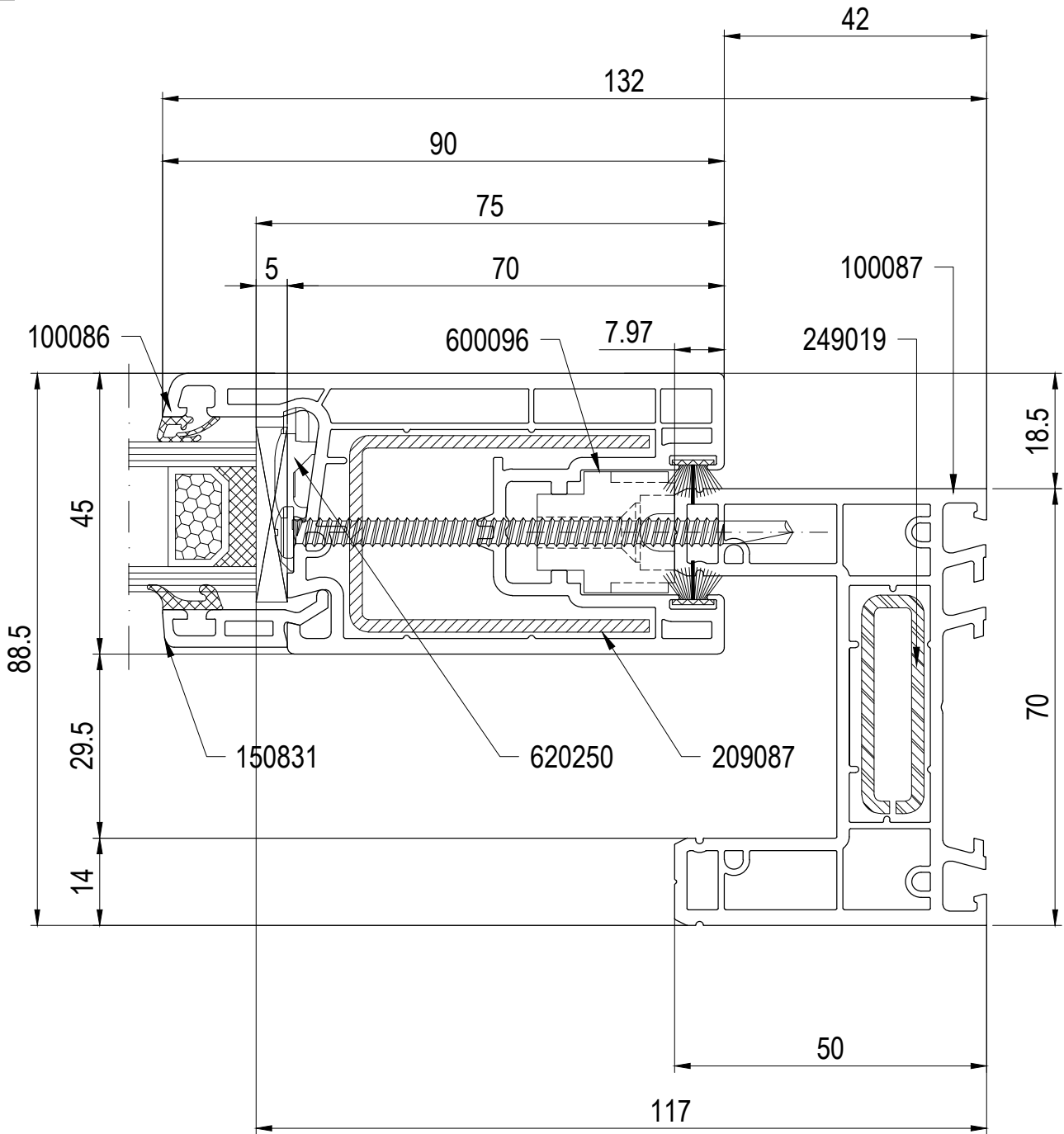
en May be subject to change and errors excepted!

Combinations: Main profiles

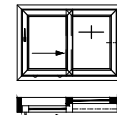
Cross section: Sliding sash, inside

Schema A

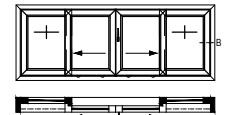
Cross section A



Schema A



Schema C



scale 1:1

01_S_01_vario-slide*

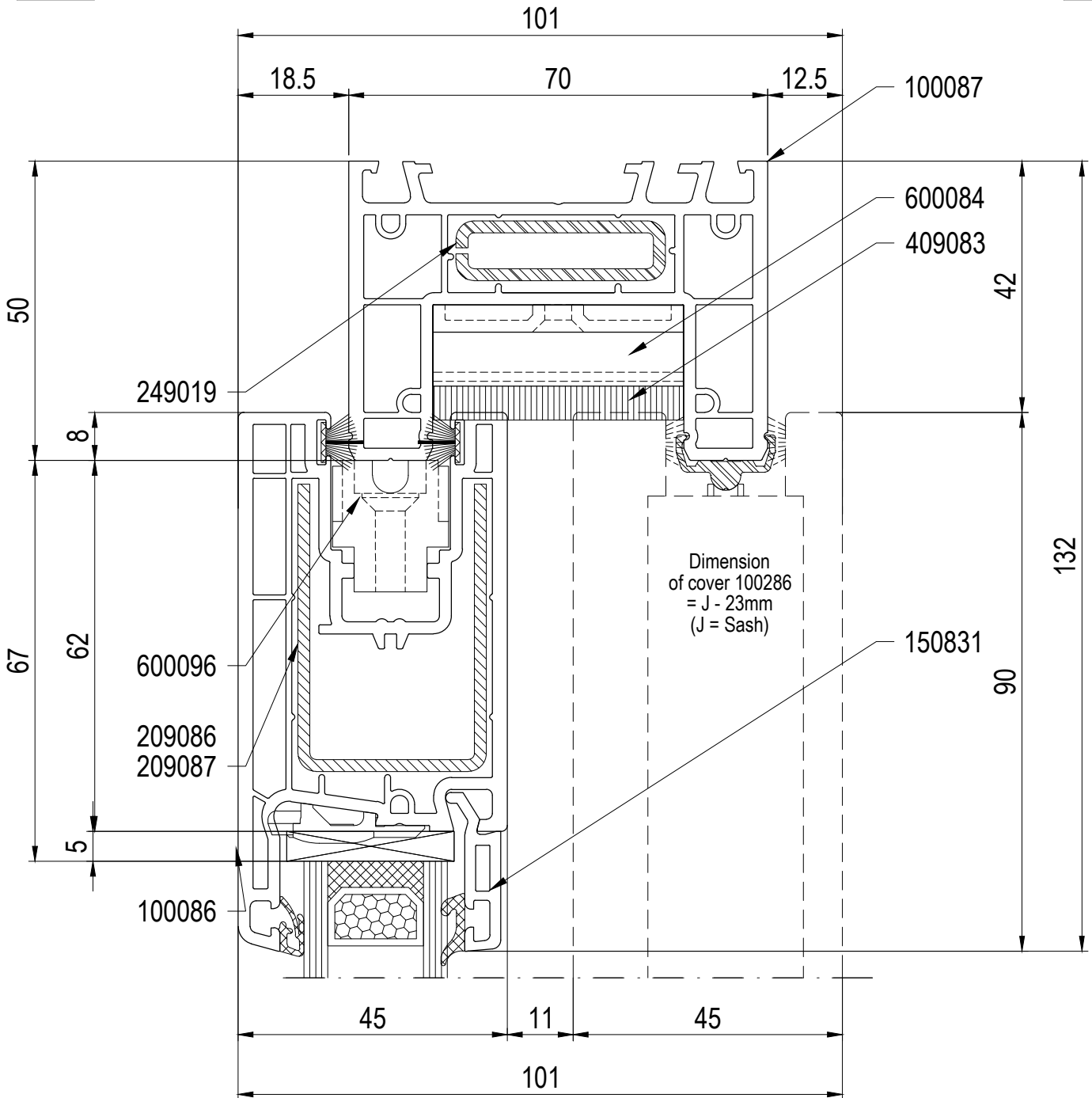
en May be subject to change and errors excepted!

Combinations: Main profiles

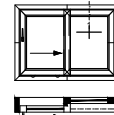
Cross section: Sliding sash, inside

Schema A / C

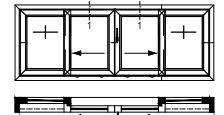
Cross section B



Schema A



Schema C



scale 1:1

01_S_01_vario-slide*

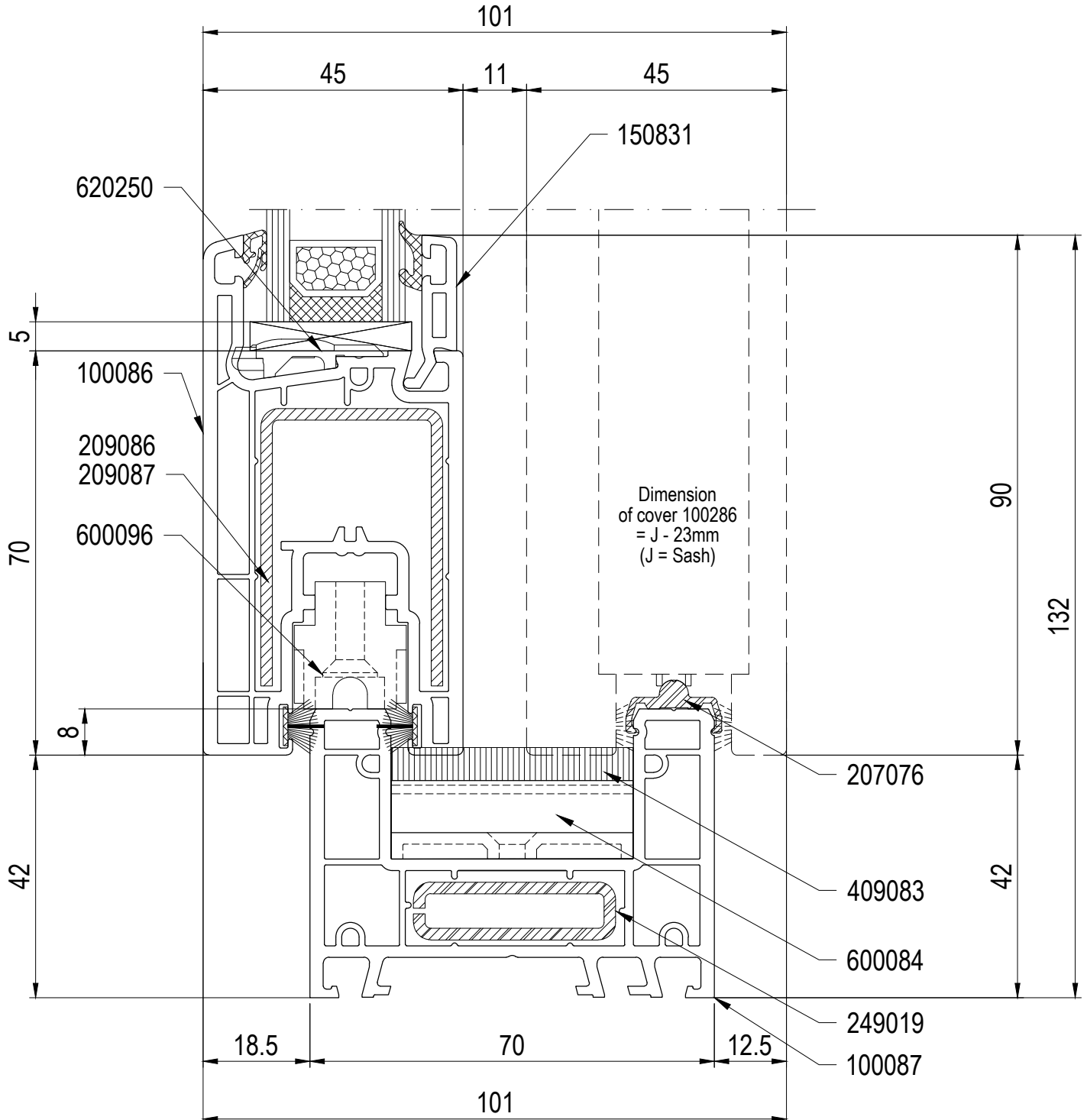
en May be subject to change and errors excepted!

Combinations: Main profiles

Cross section: Sliding sash, inside

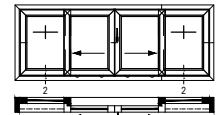
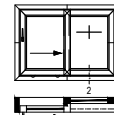
Schema A / C

Cross section 1



Schema A

Schema C



scale 1:1

01_S_01_vario-slide*

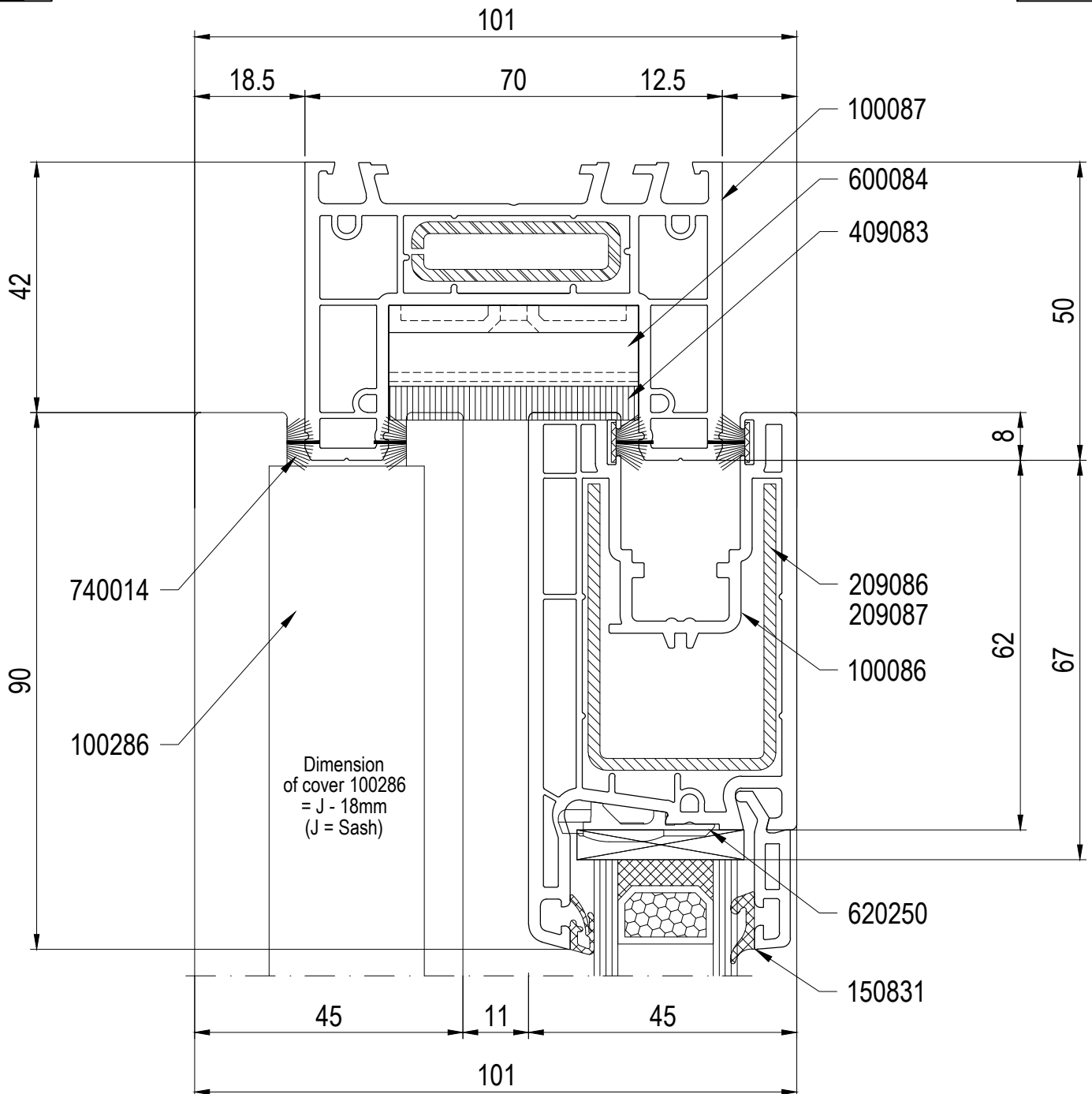
en May be subject to change and errors excepted!

Combinations: Main profiles

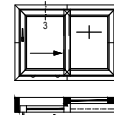
Cross section: Sliding sash, inside

Schema A / C

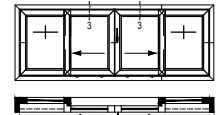
Cross section 2



Schema A



Schema C



scale 1:1

01_S_01_vario-slide*

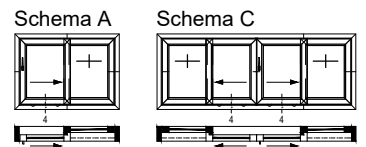
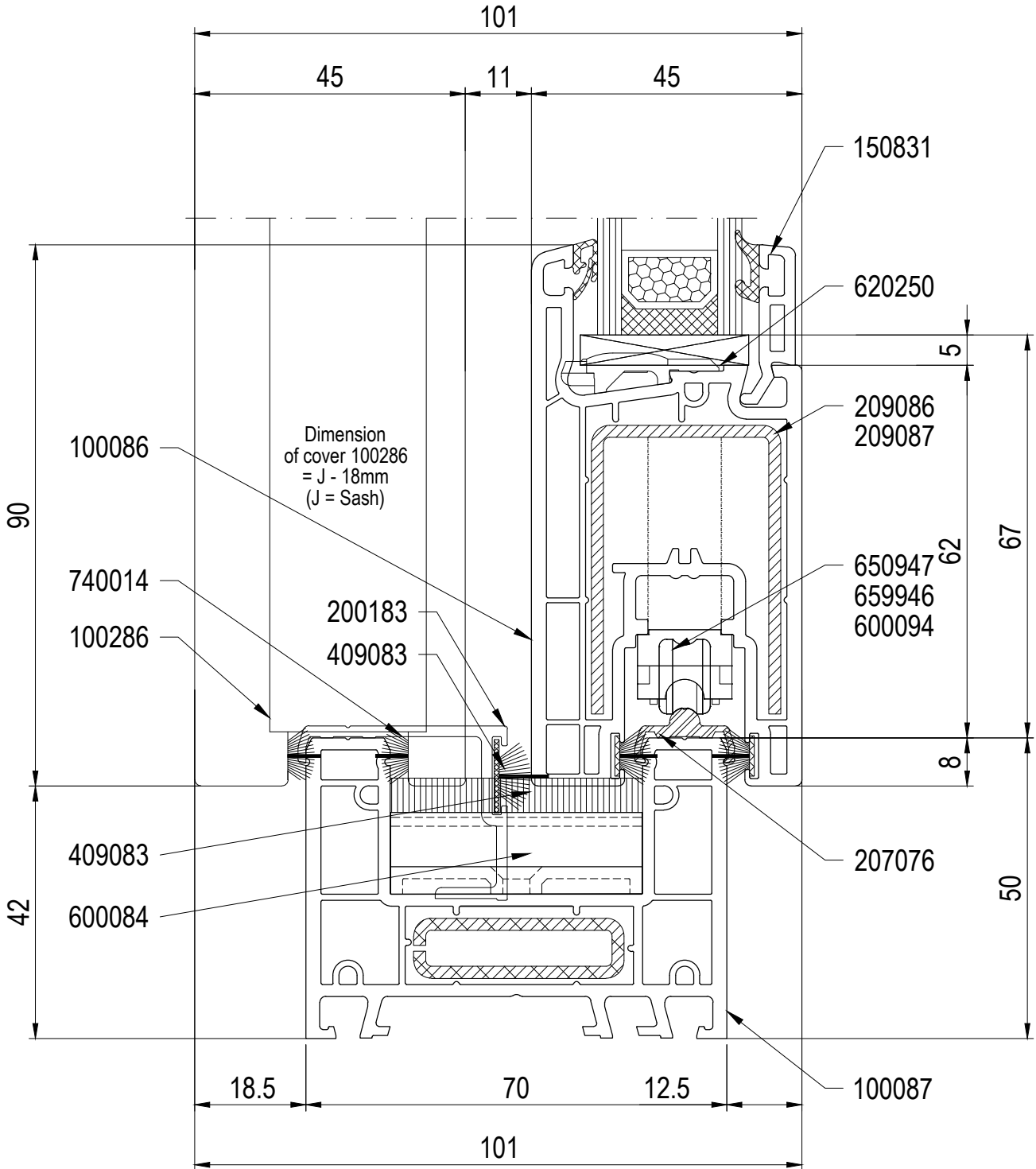
en May be subject to change and errors excepted!

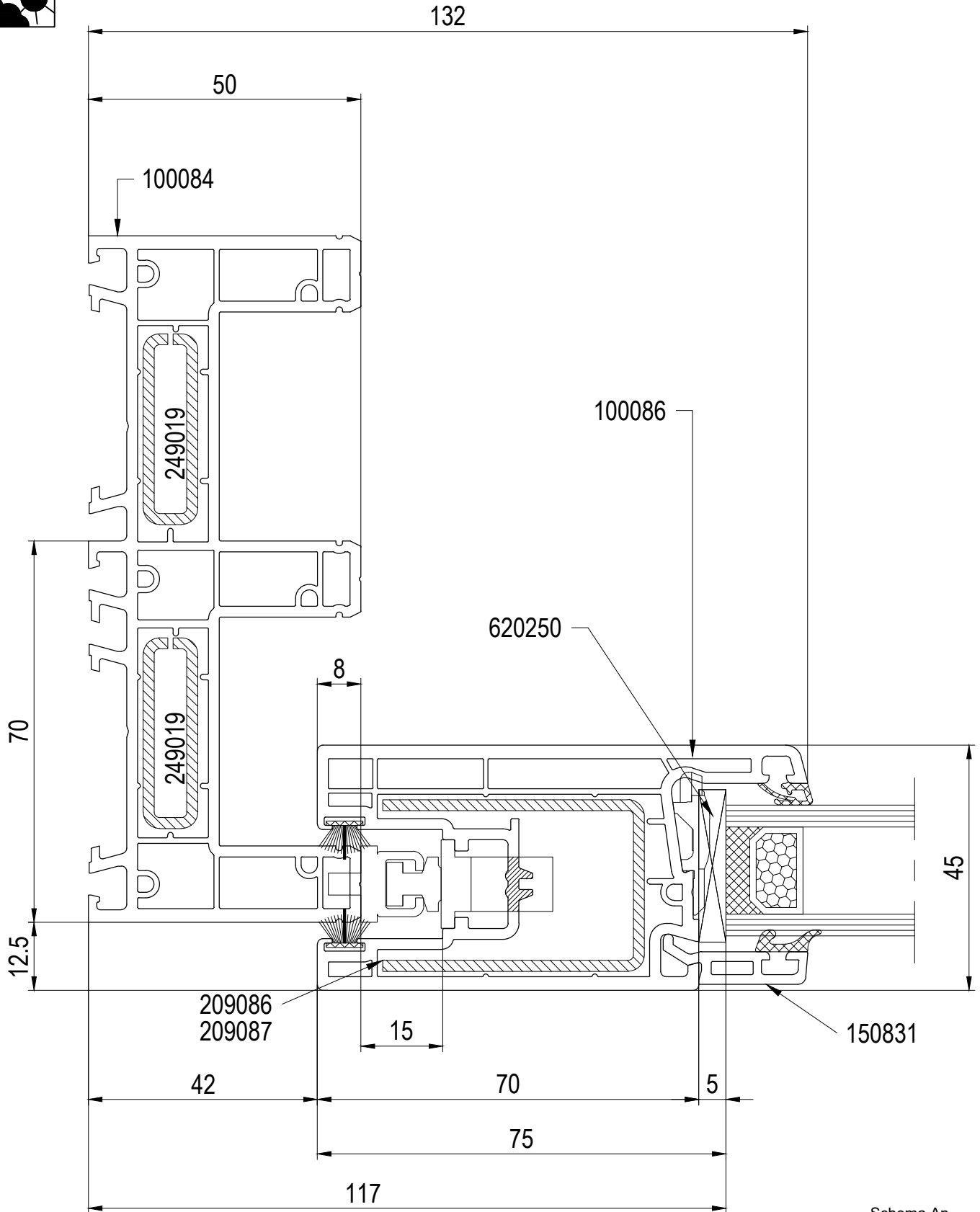
Combinations: Main profiles

Cross section: Sliding sash, inside

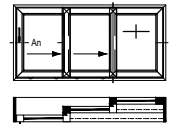
Schema A / C

Cross section 3





Schema An



scale 1:1

01_S_01_vario-slide*

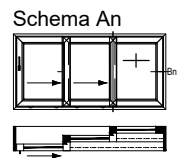
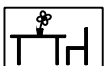
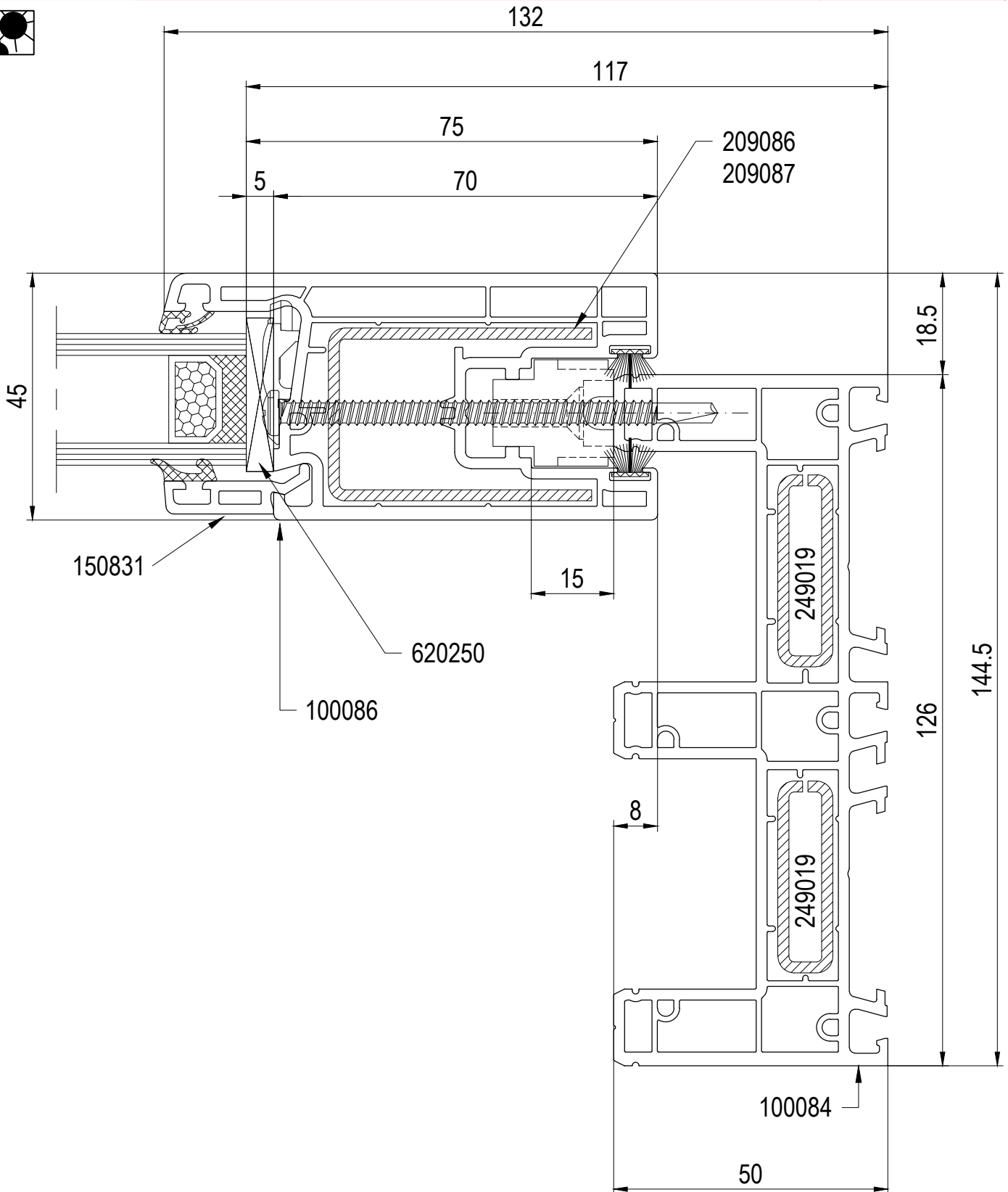
en May be subject to change and errors excepted!

Combinations: Main profiles

Cross section: Sliding sash, inside

Schema An

Cross section An



scale 1:1

01_S_01_vario-slide*

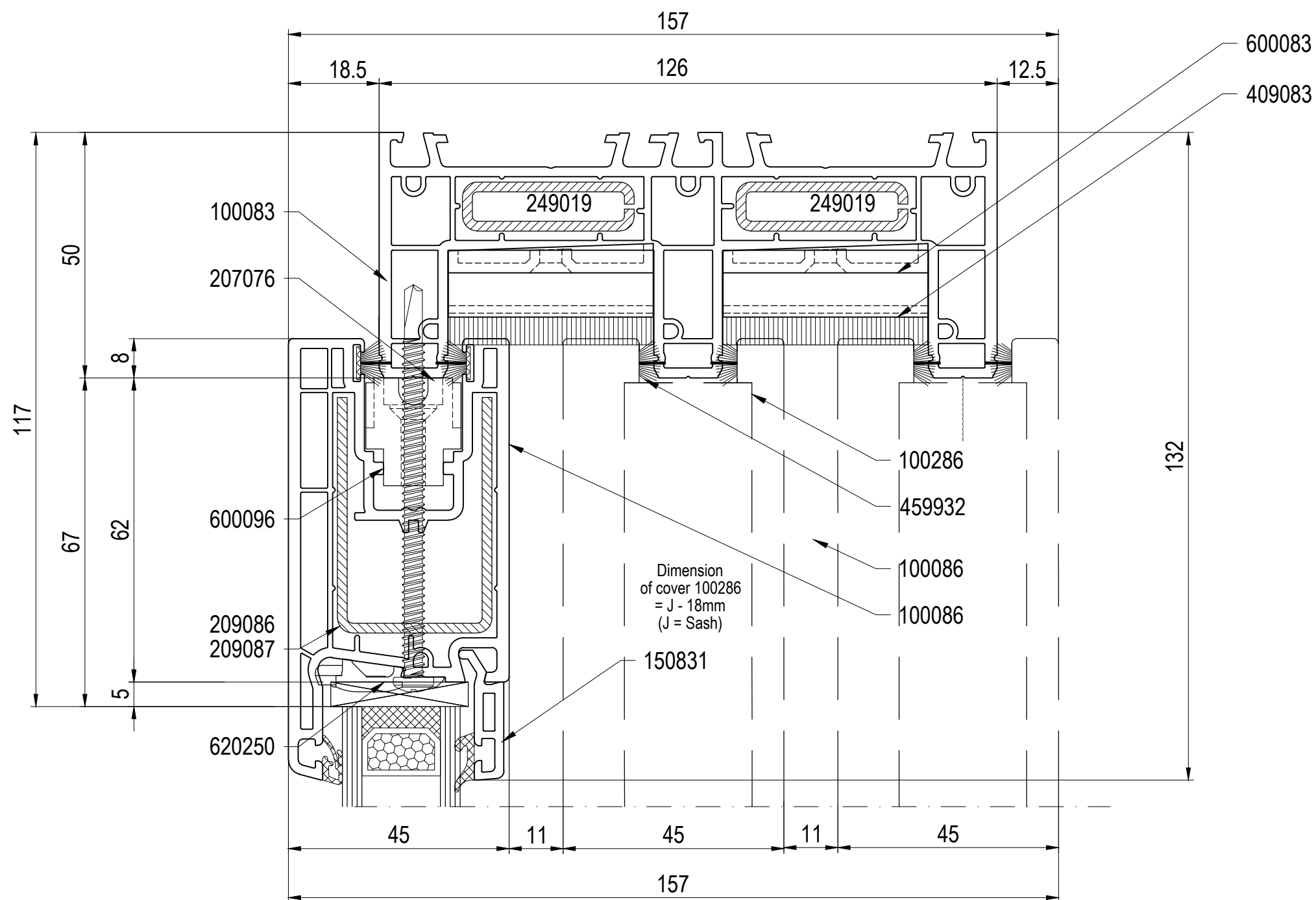
en May be subject to change and errors excepted!

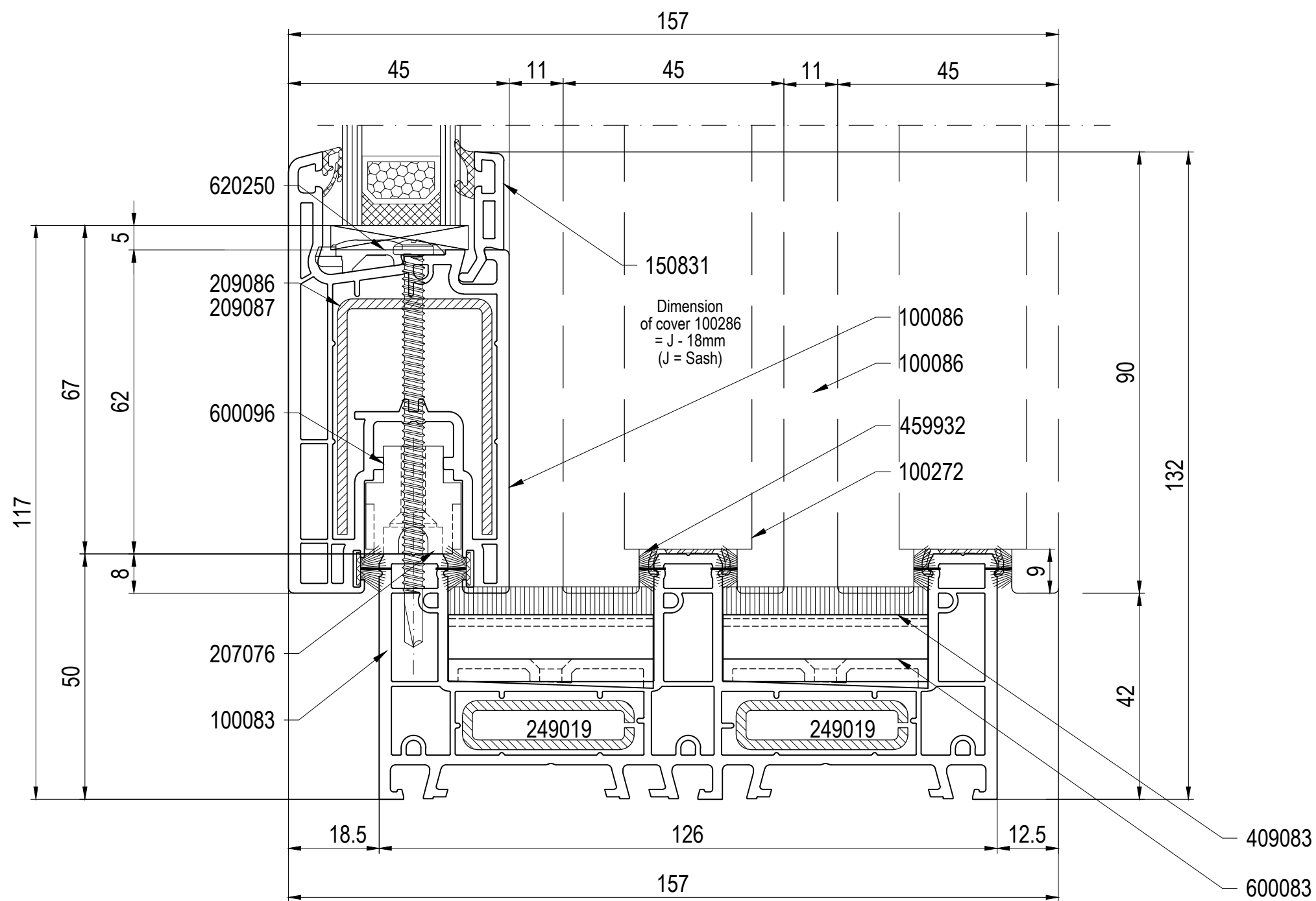
Combinations: Main profiles

Cross section: Sliding sash, inside

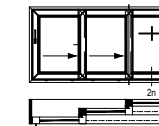
Schema An

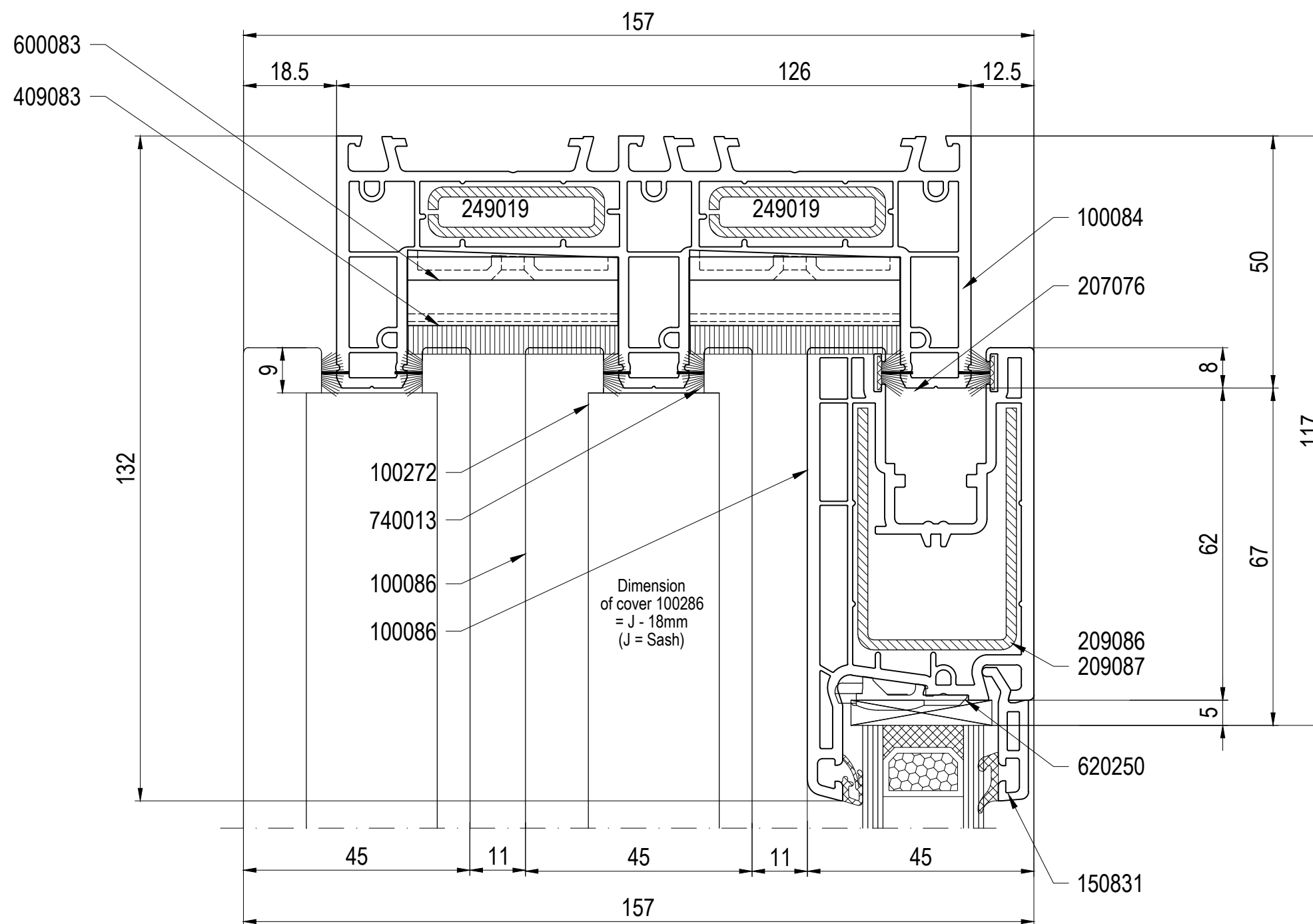
Cross section Bn



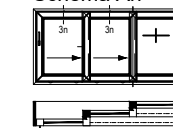


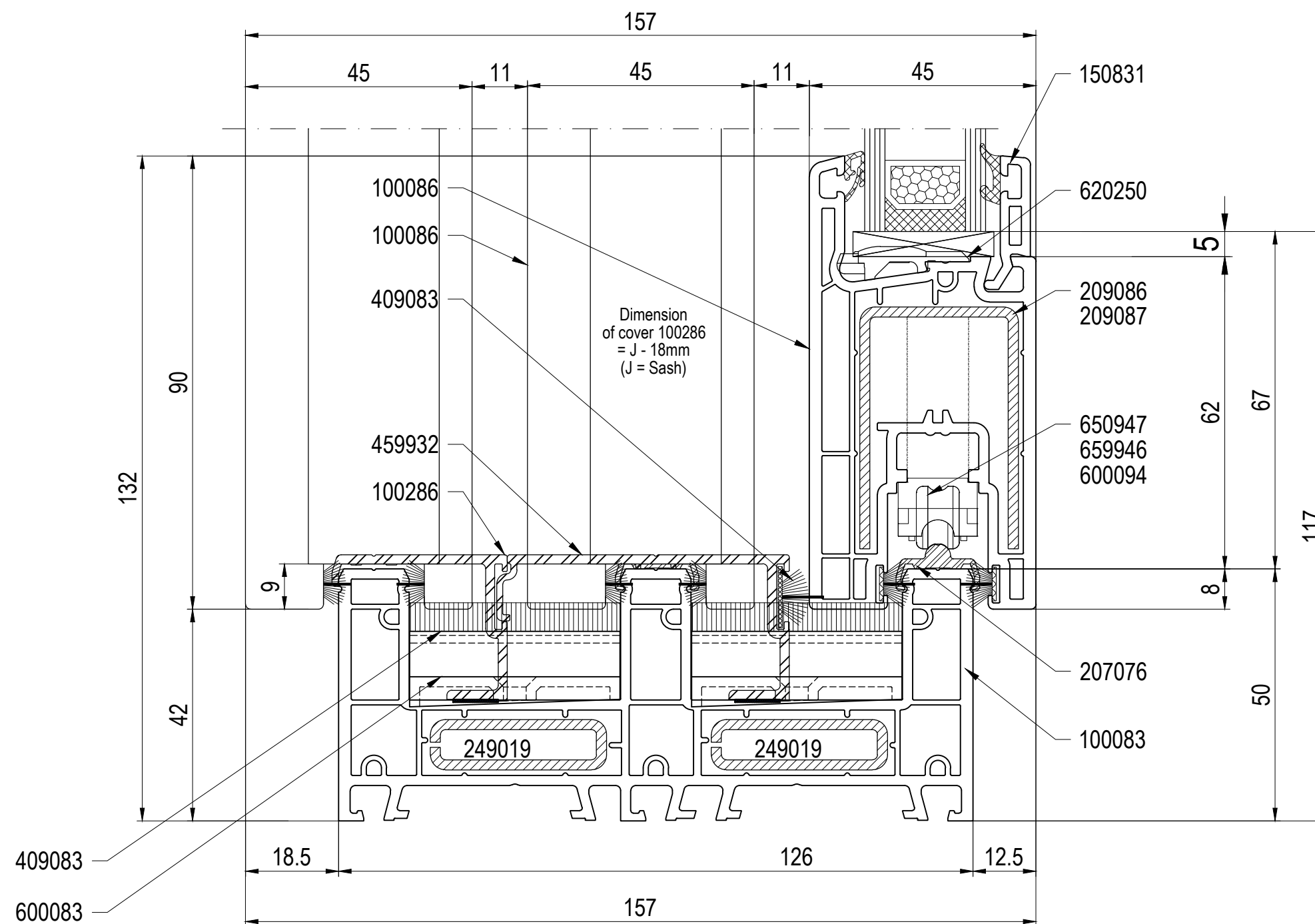
Schema An



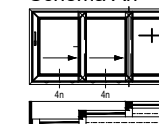


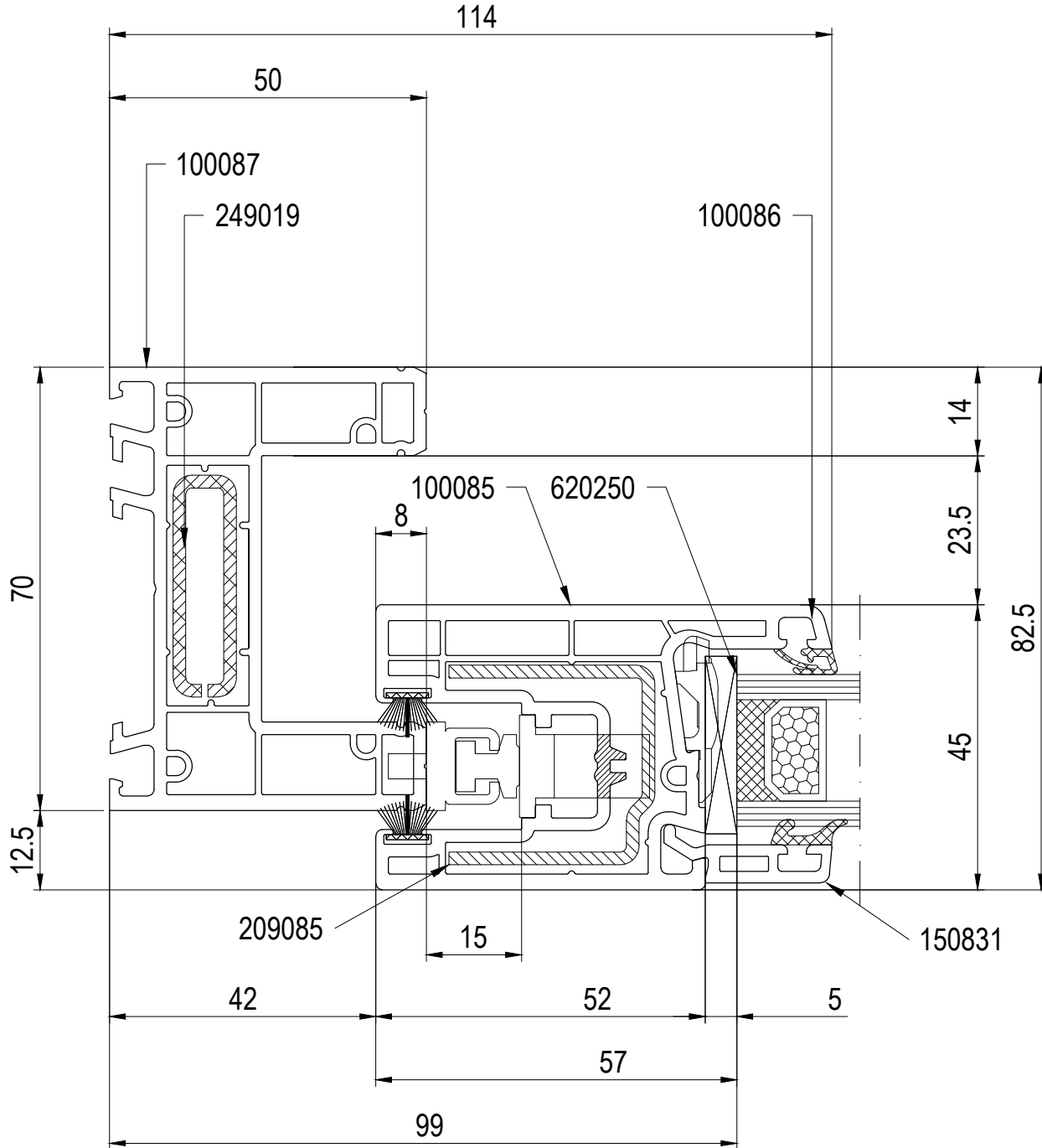
Schema An



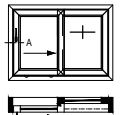


Schema An





Schema A



scale 1:1

01_S_01_vario-slide*

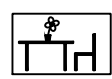
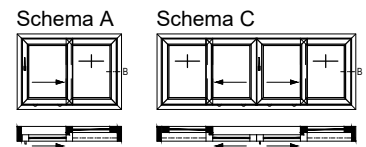
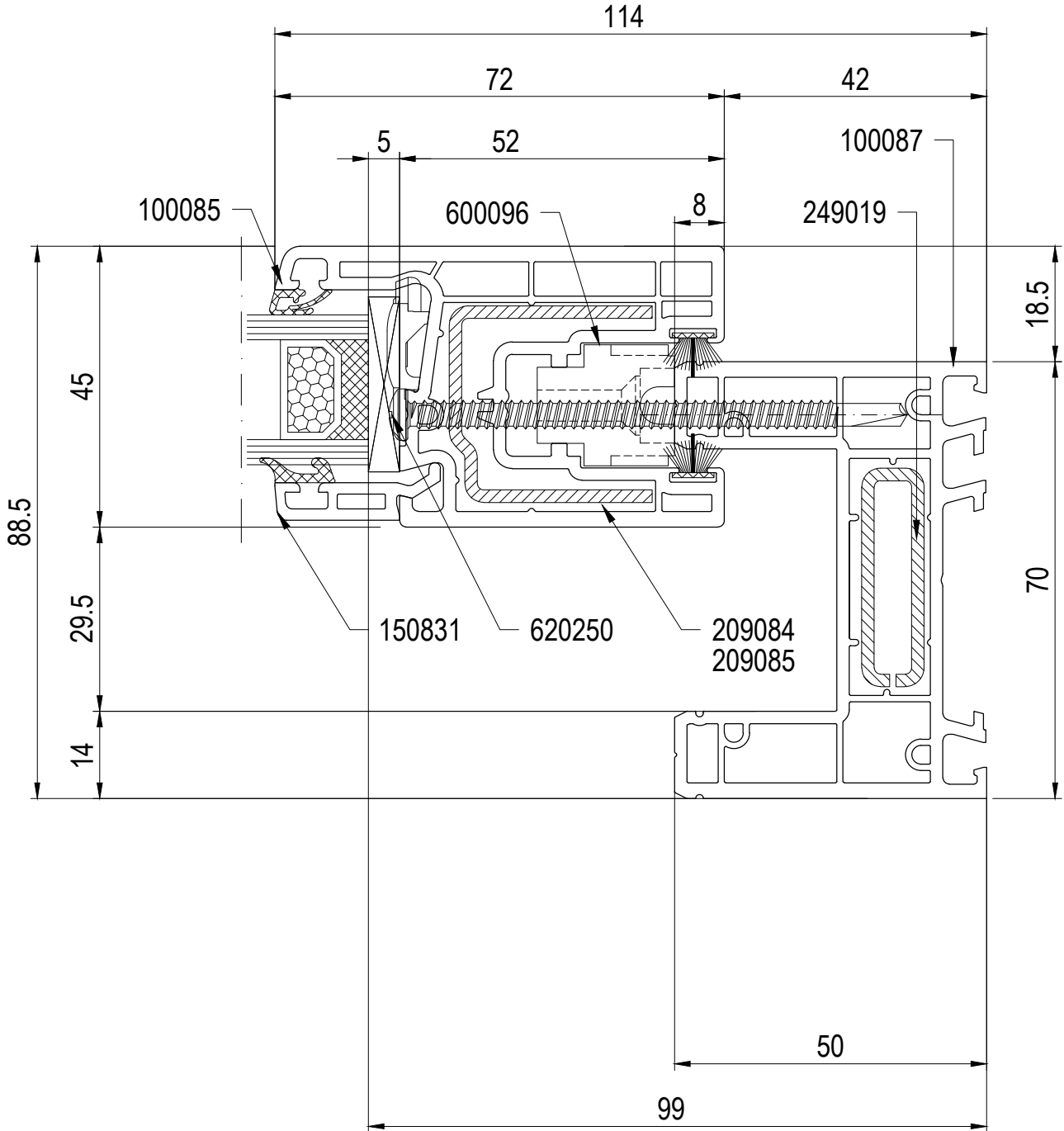
en May be subject to change and errors excepted!

Combinations: Main profiles

Cross section: Sliding sash, inside

Schema A

Cross section A



scale 1:1

01_S_01_vario-slide*

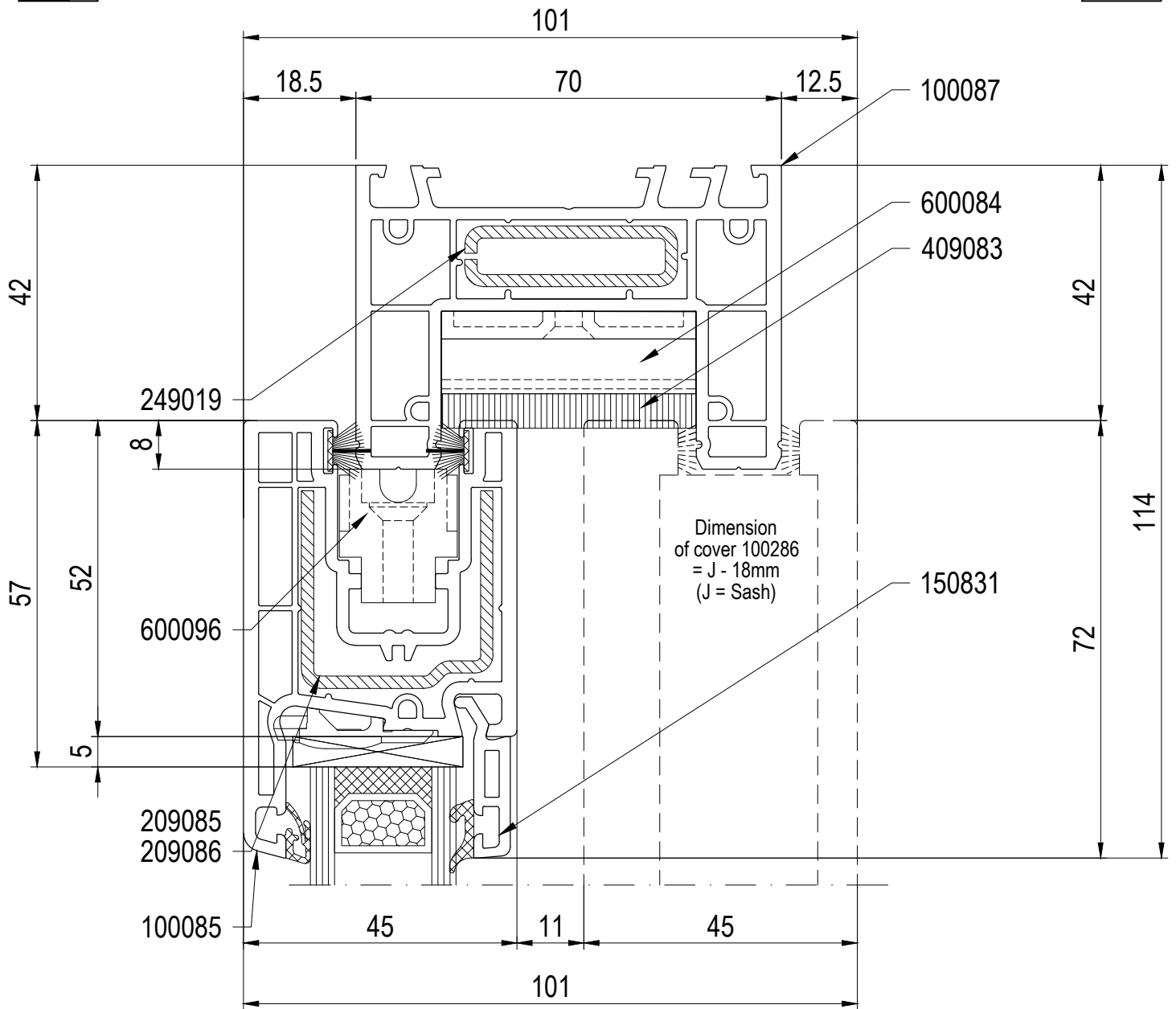
en May be subject to change and errors excepted!

Combinations: Main profiles

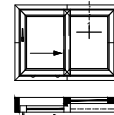
Cross section: Sliding sash, inside

Schema A / C

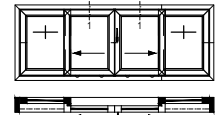
Cross section B



Schema A



Schema C



scale 1:1

01_S_01_vario-slide*

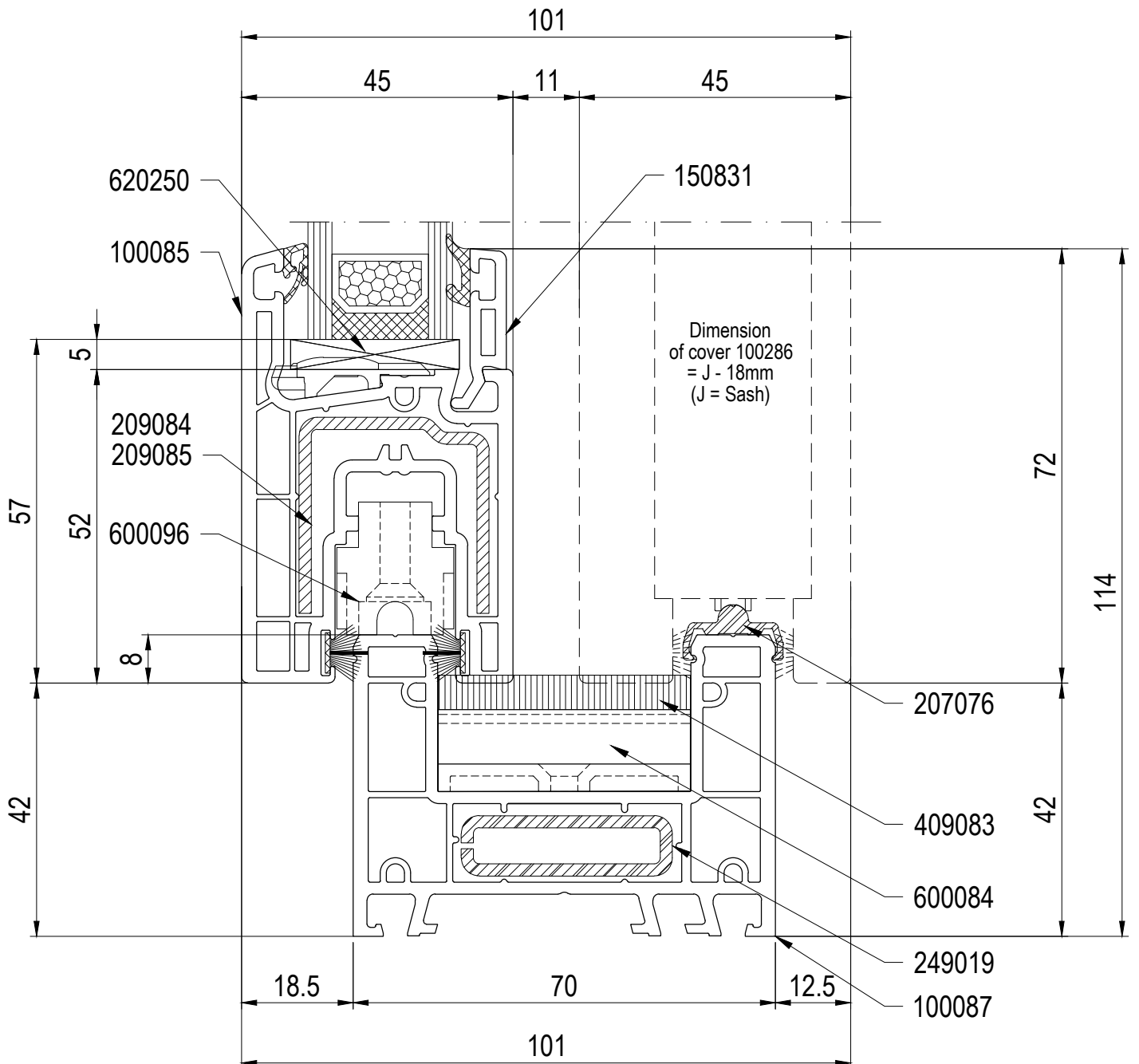
en May be subject to change and errors excepted!

Combinations: Main profiles

Cross section: Sliding sash, inside

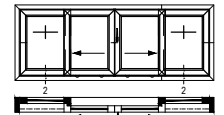
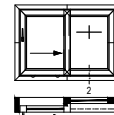
Schema A / C

Cross section 1



Schema A

Schema C



scale 1:1

01_S_01_vario-slide*

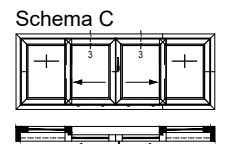
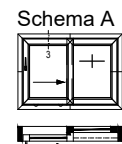
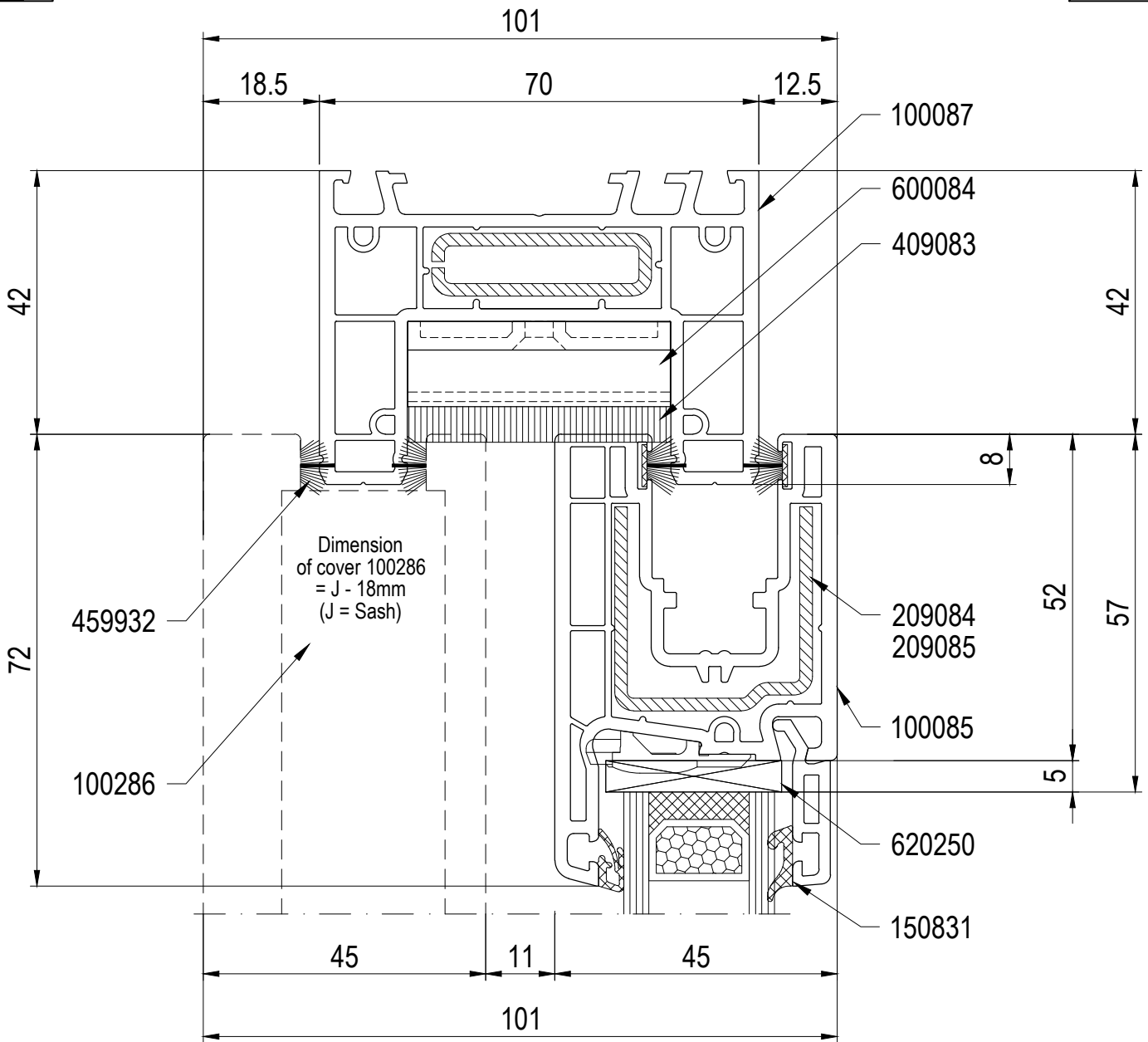
en May be subject to change and errors excepted!

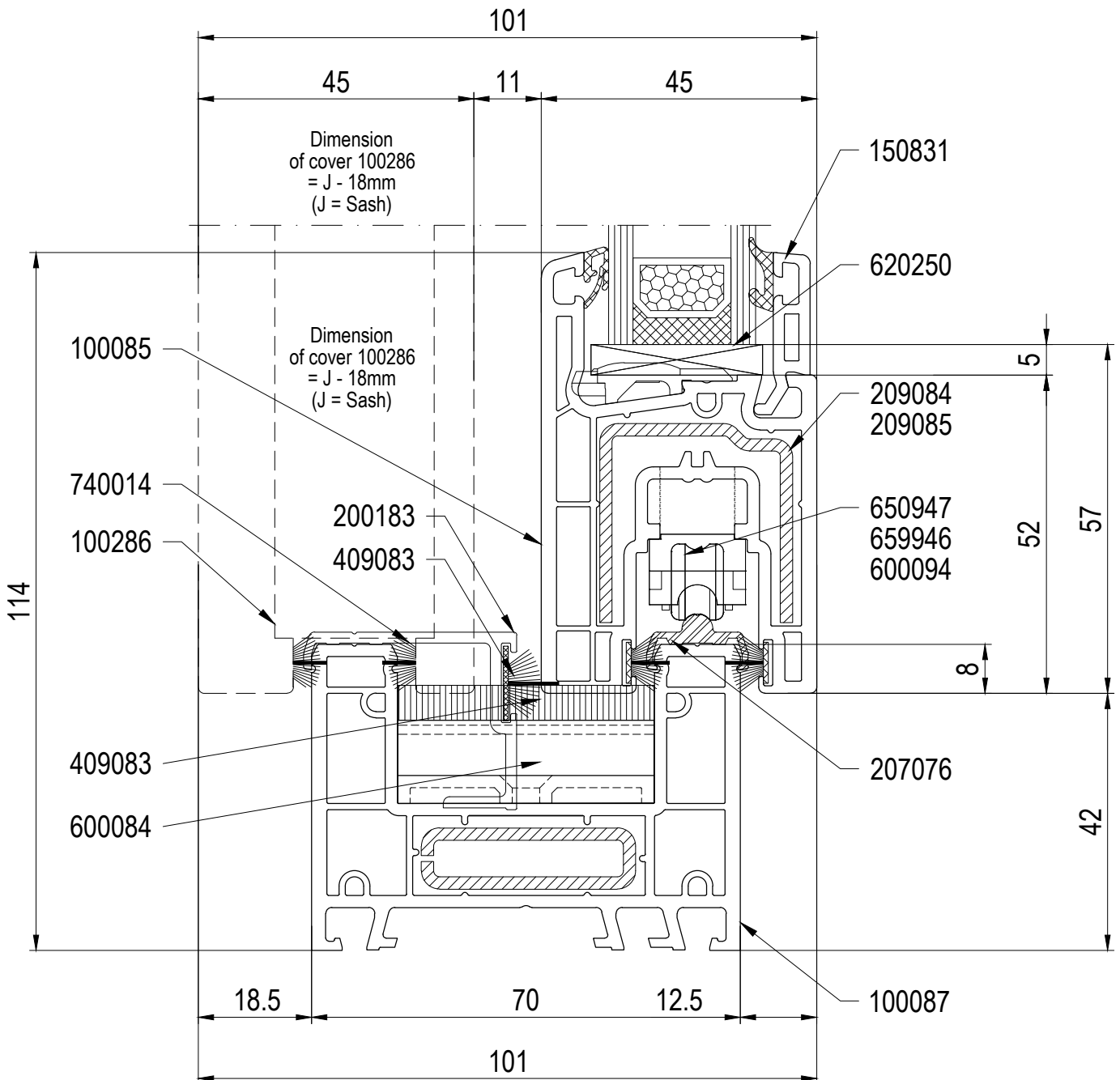
Combinations: Main profiles

Cross section: Sliding sash, inside

Schema A / C

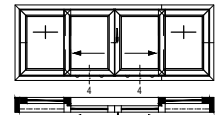
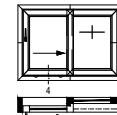
Cross section 2





Schema A

Schema C



scale 1:1

01_S_01_vario-slide*

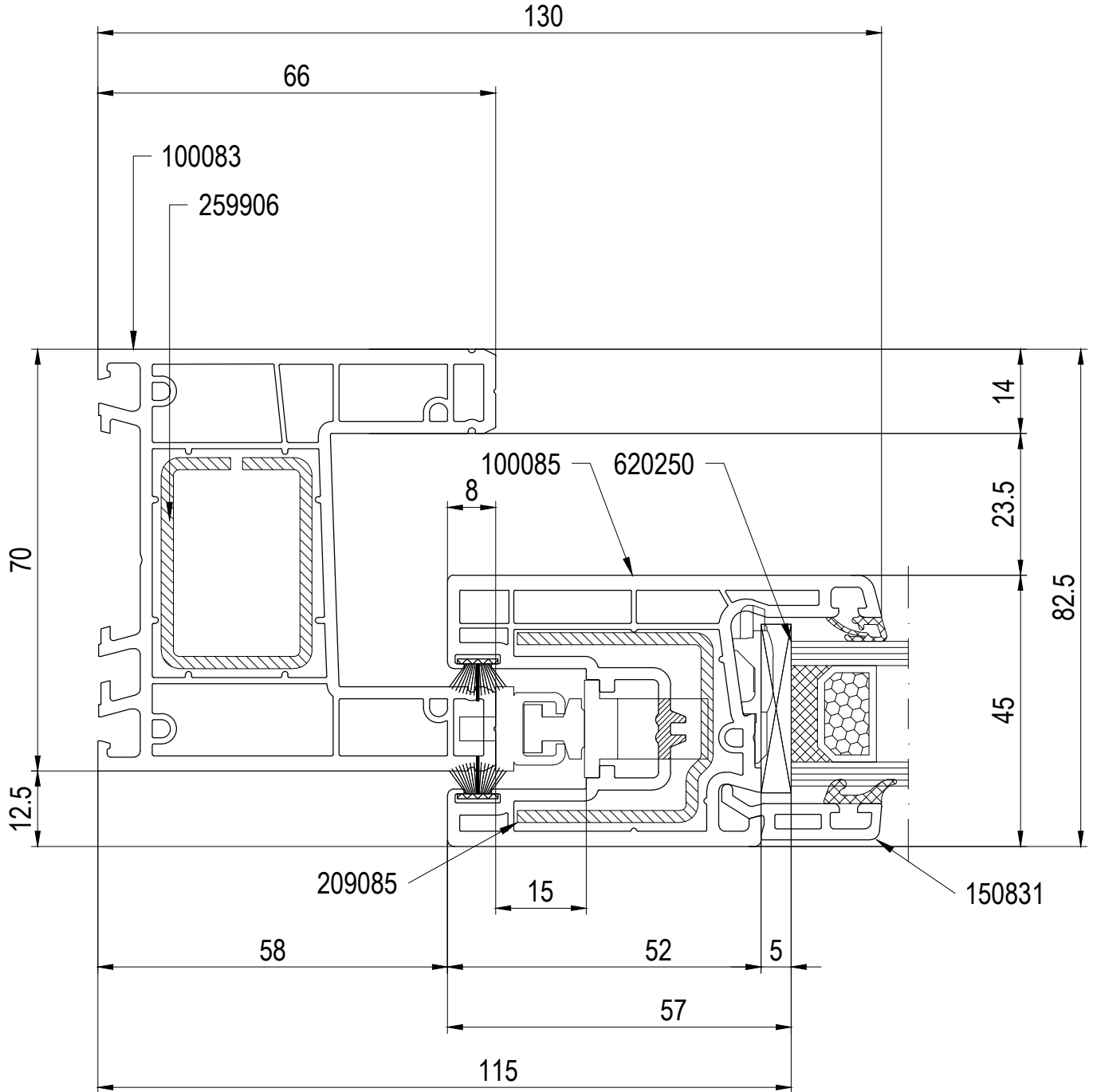
en May be subject to change and errors excepted!

Combinations: Main profiles

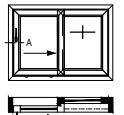
Cross section: Sliding sash, inside

Schema A / C

Cross section 4



Schema A



scale 1:1

01_S_01_vario-slide*

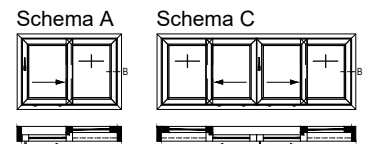
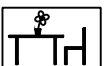
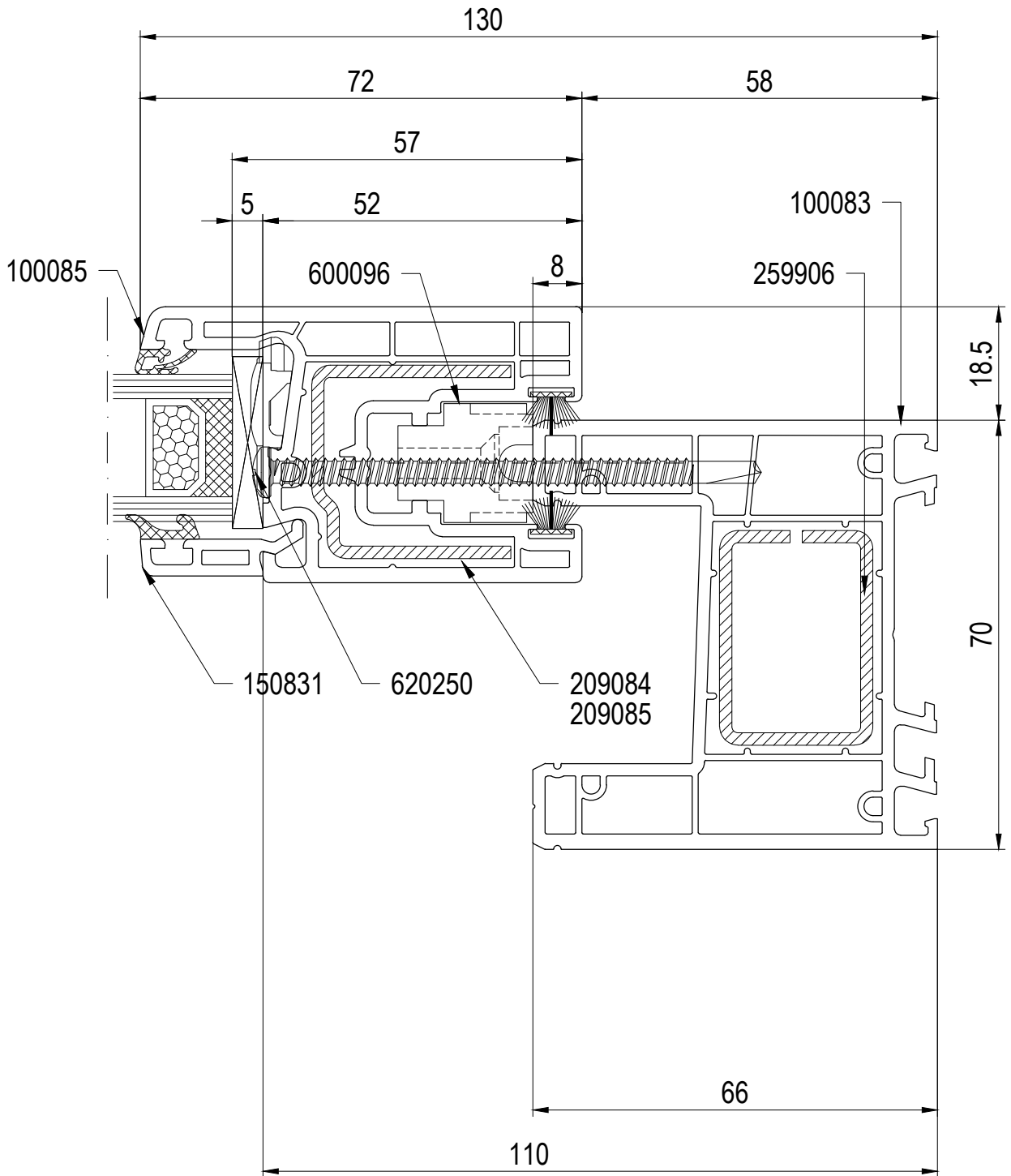
en May be subject to change and errors excepted!

Combinations: Main profiles

Cross section: Sliding sash, inside

Schema A

Cross section A



scale 1:1

01_S_01_vario-slide*

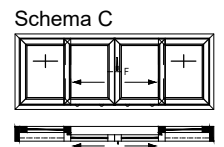
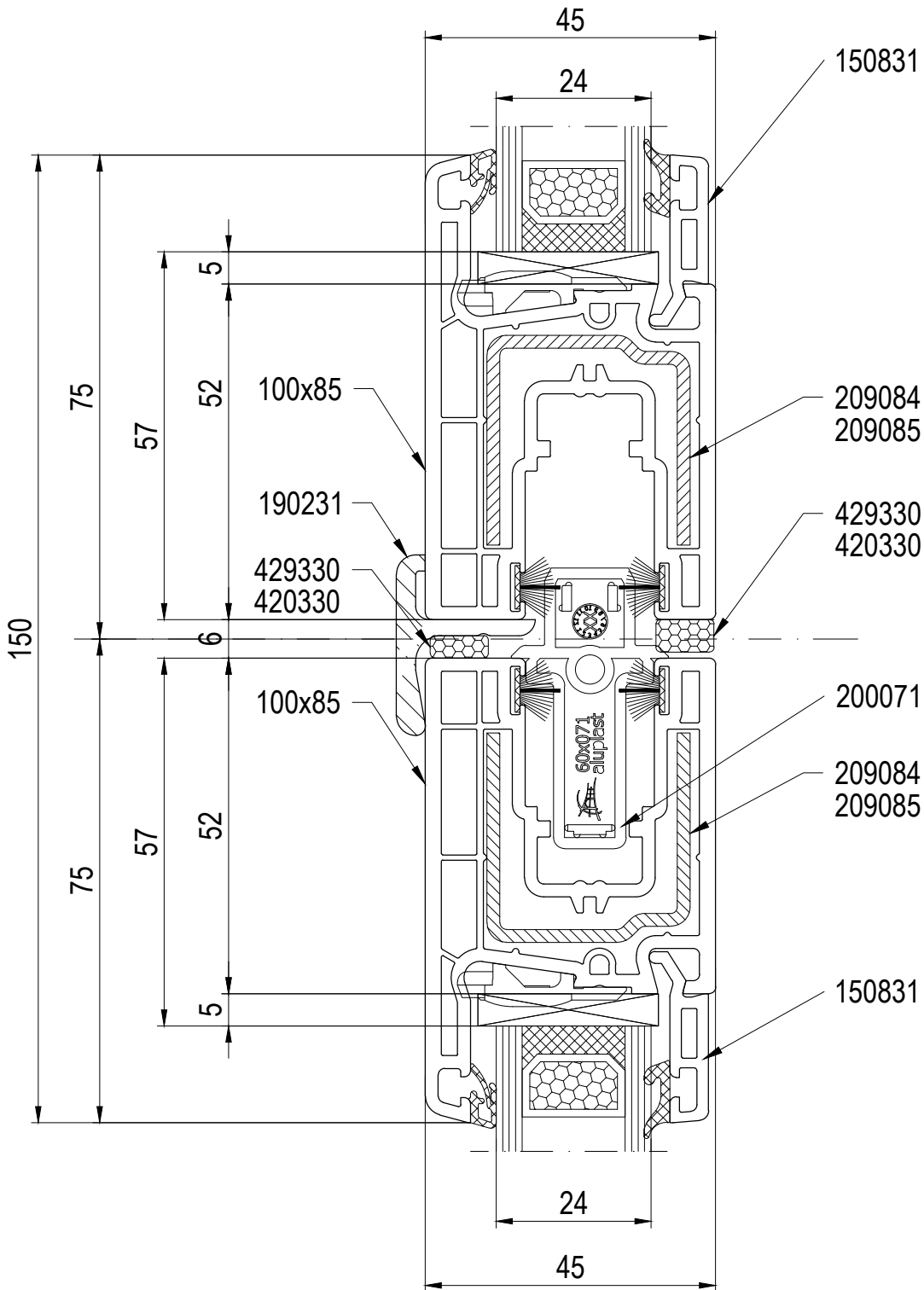
en May be subject to change and errors excepted!

Combinations: Main profiles

Cross section: Sliding sash, inside

Schema A / C

Cross section B



scale 1:1

01_S_01_vario-slide*

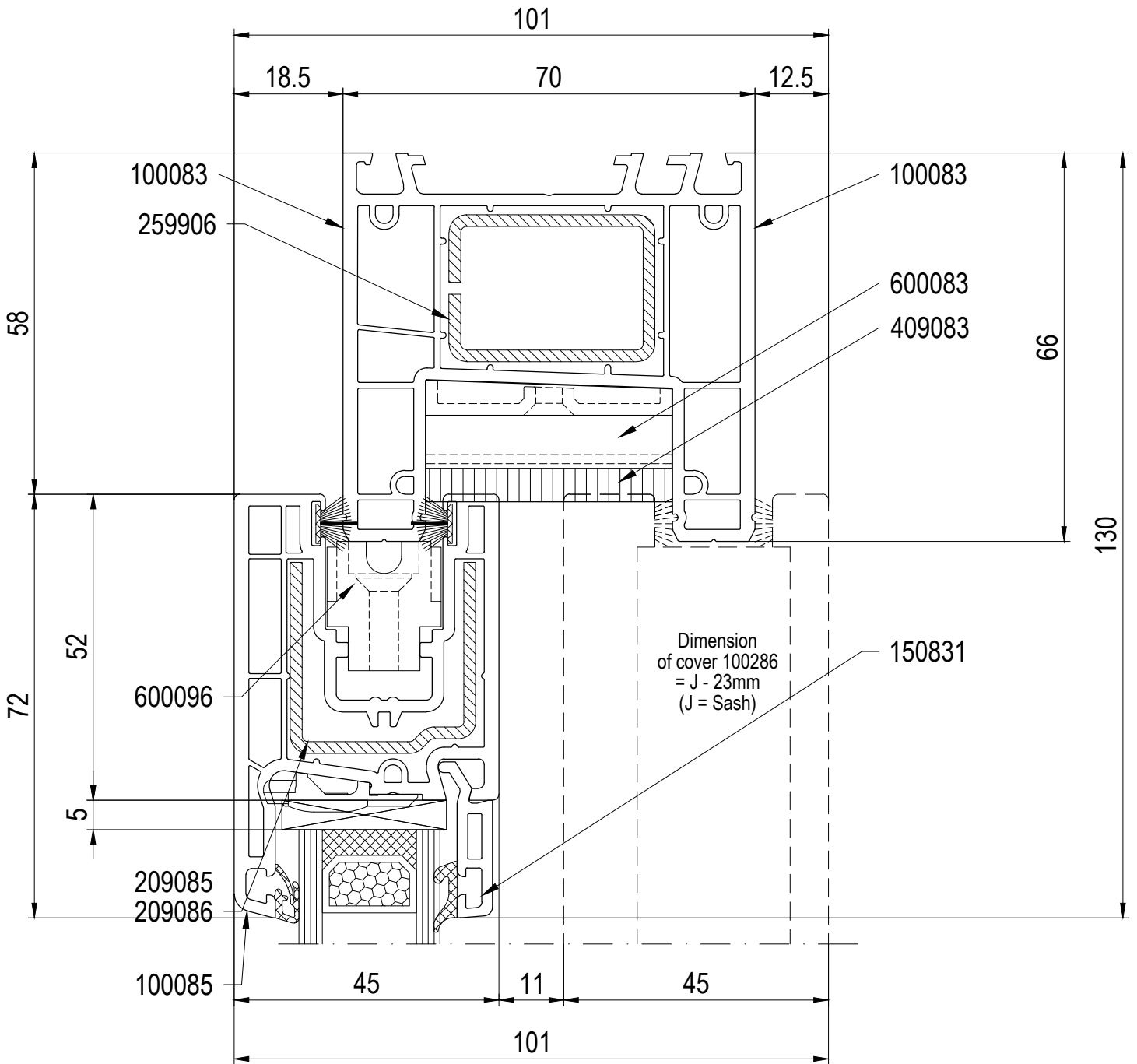
en May be subject to change and errors excepted!

Combinations: Main profiles

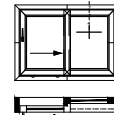
Cross section: Sliding sash, inside

Schema C

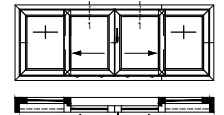
Cross section F



Schema A



Schema C



scale 1:1

01_S_01_vario-slide*

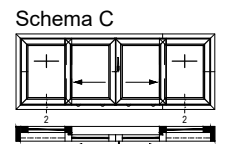
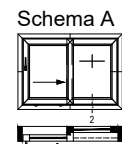
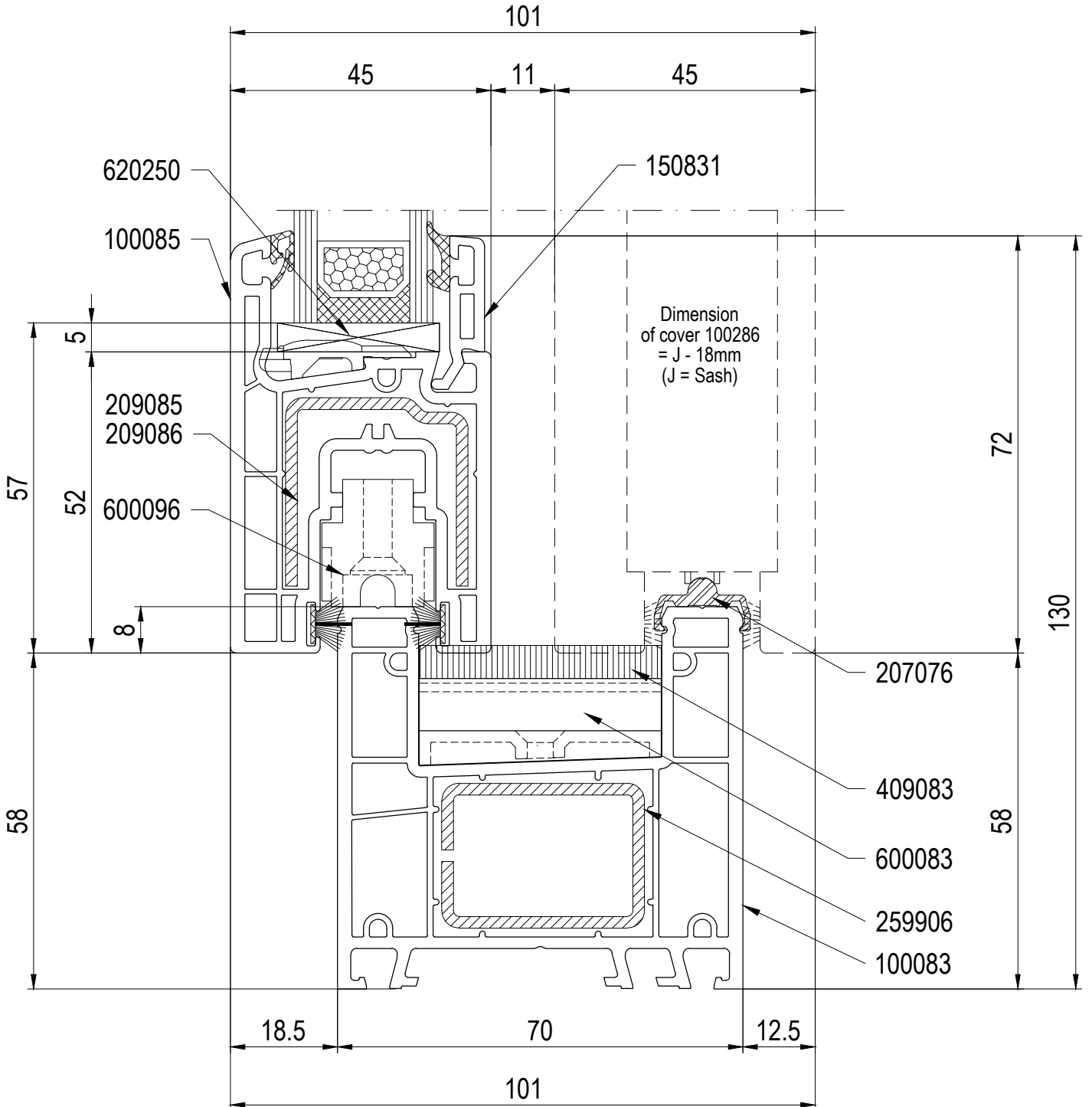
en May be subject to change and errors excepted!

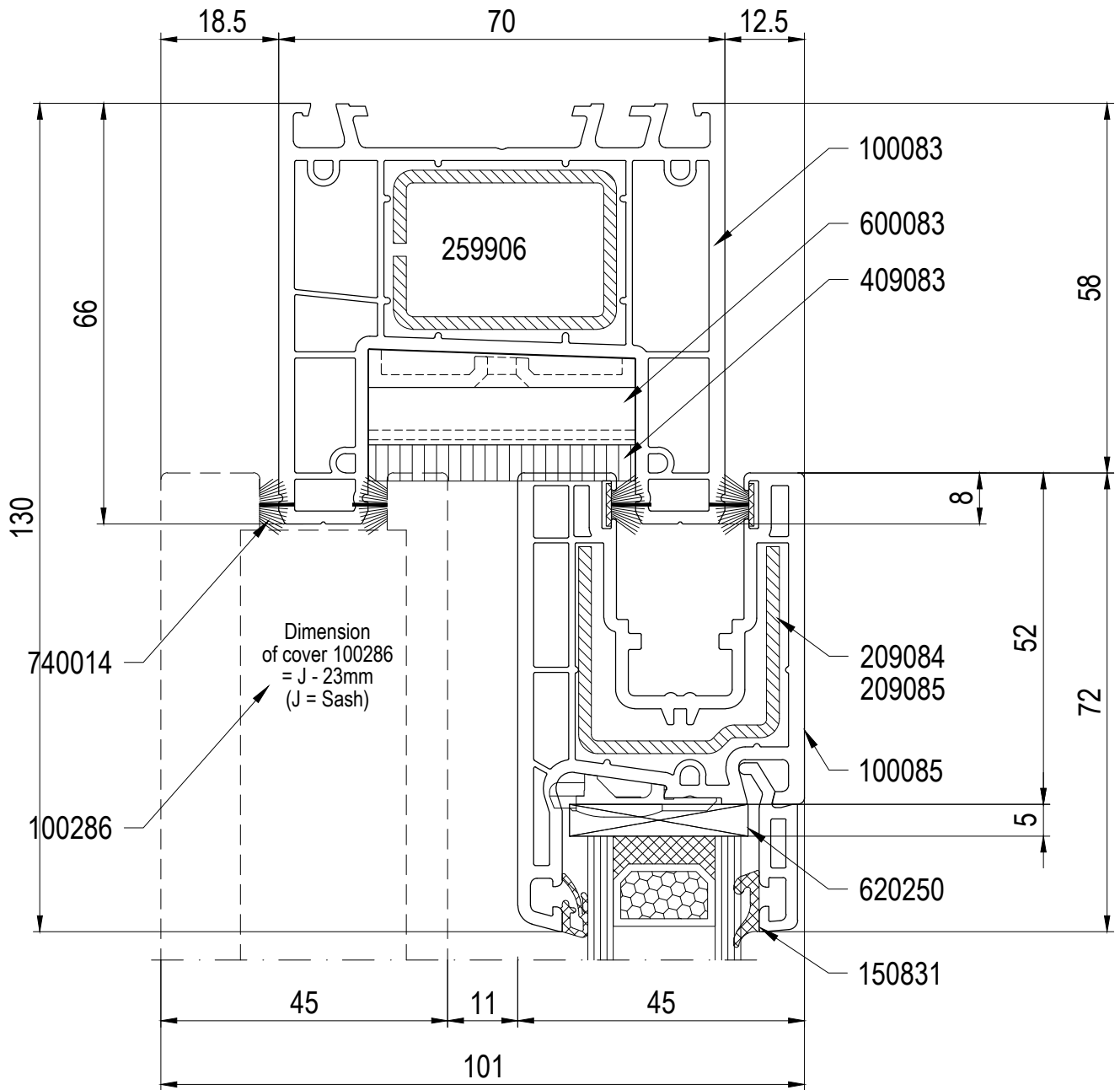
Combinations: Main profiles

Cross section: Sliding sash, inside

Schema A / C

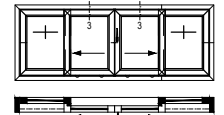
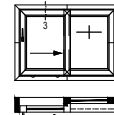
Cross section 1





Schema A

Schema C



scale 1:1

01_S_01_vario-slide*

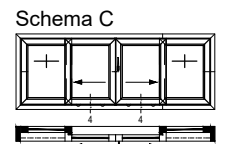
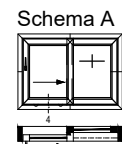
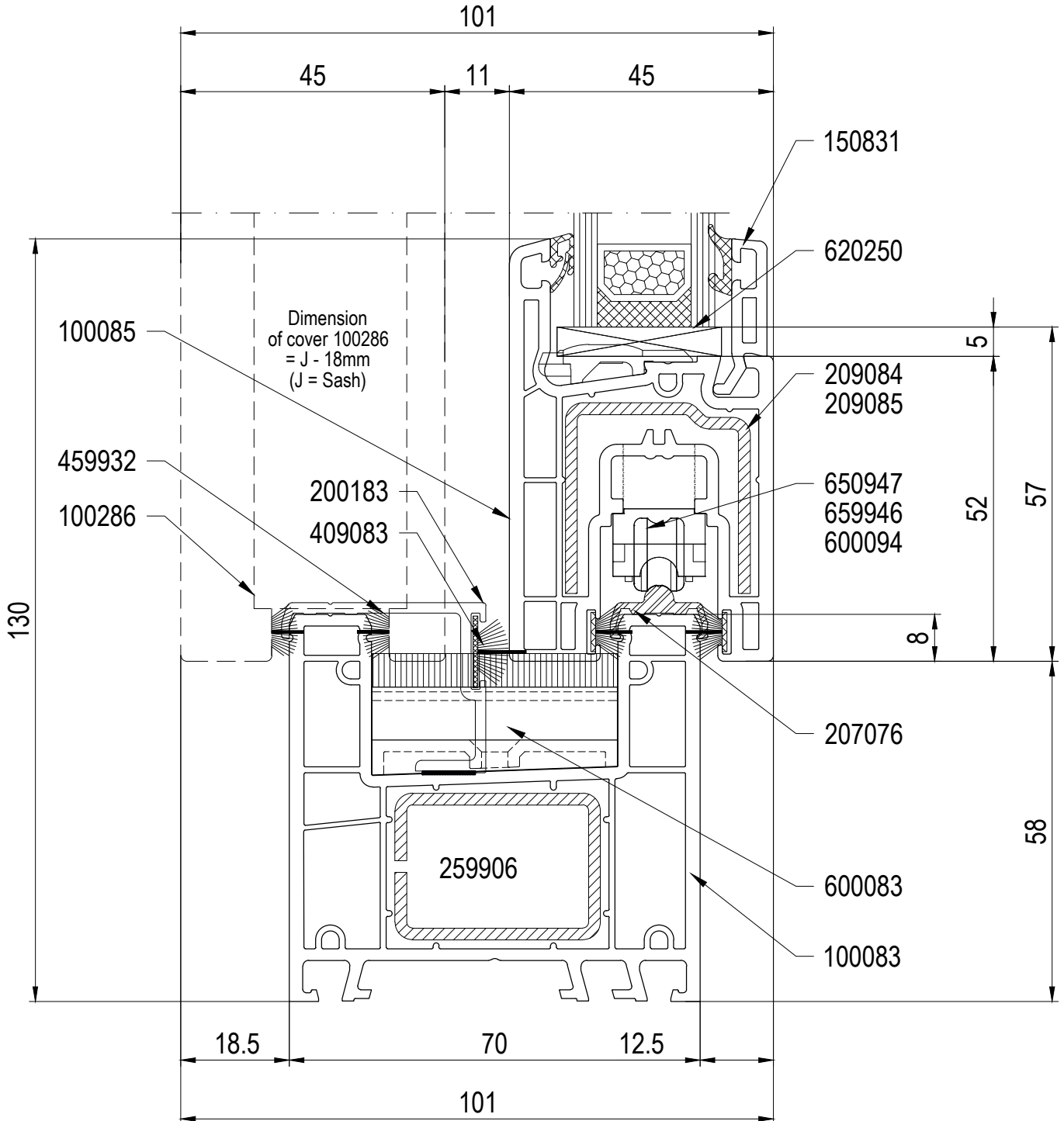
en May be subject to change and errors excepted!

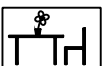
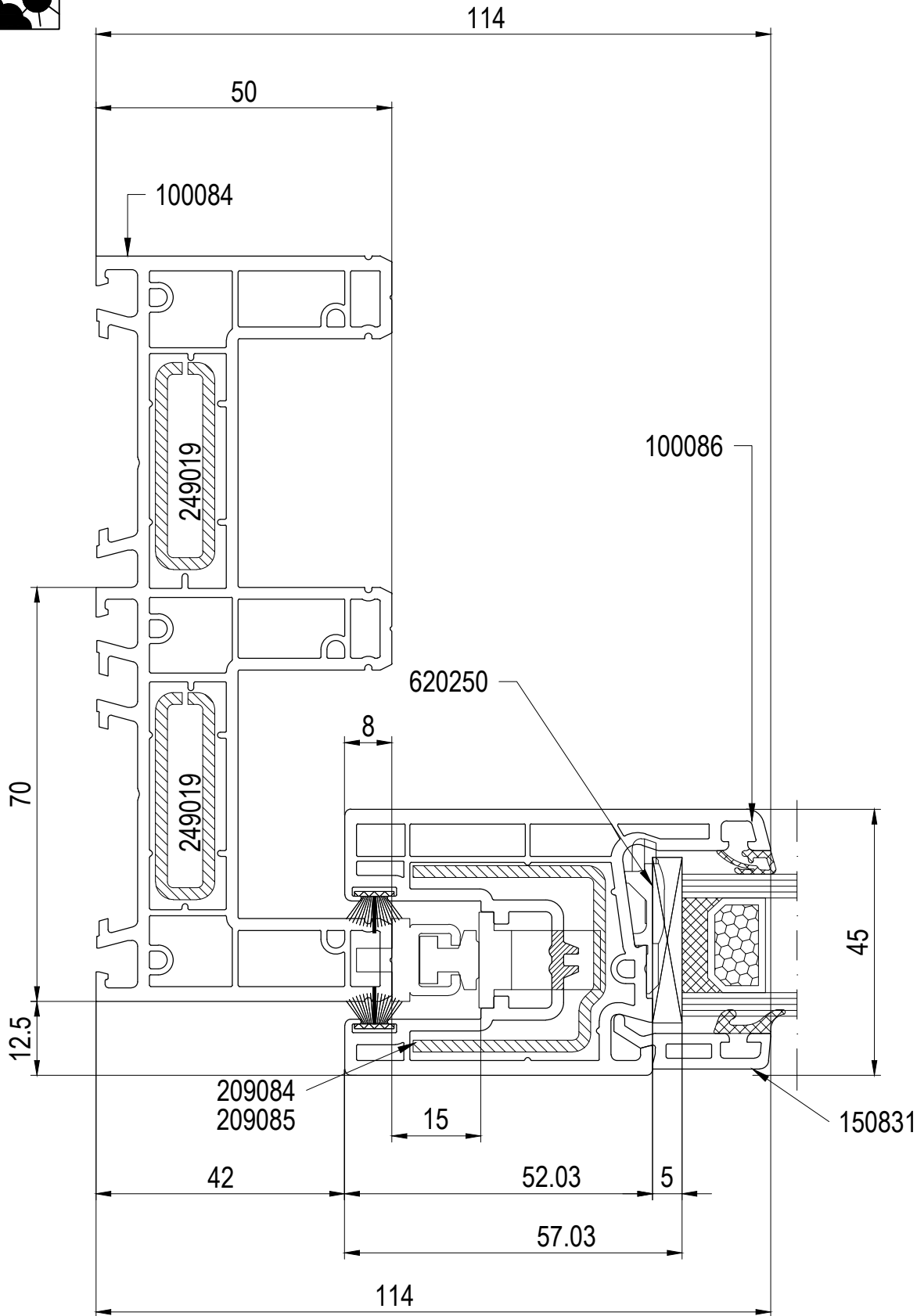
Combinations: Main profiles

Cross section: Sliding sash, inside

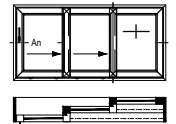
Schema A / C

Cross section 3





Schema An



scale 1:1

01_S_01_vario-slide*

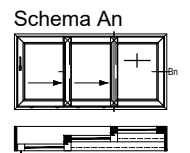
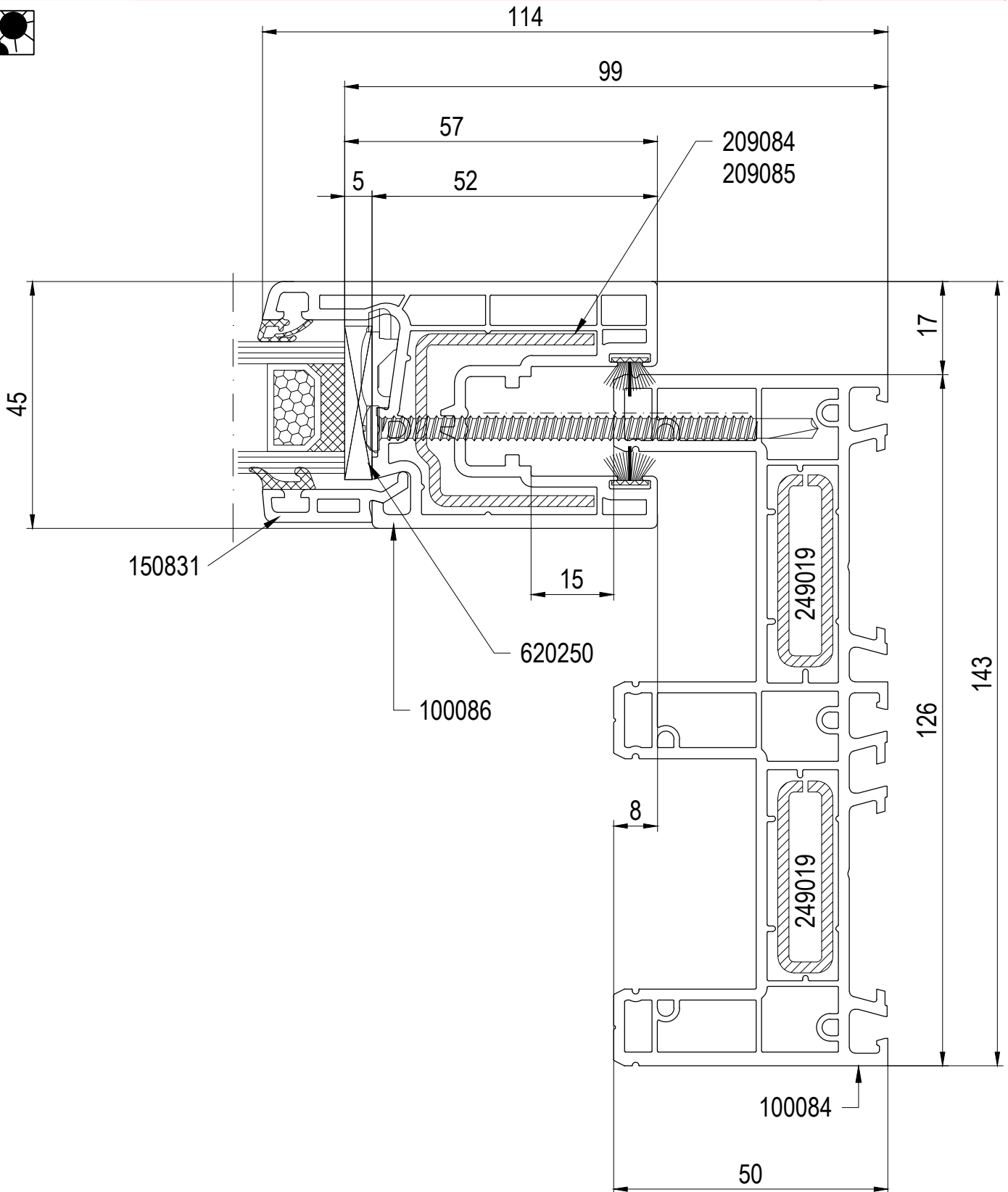
en May be subject to change and errors excepted!

Combinations: Main profiles

Cross section: Sliding sash, inside

Schema An

Cross section An



scale 1:1

01_S_01_vario-slide*

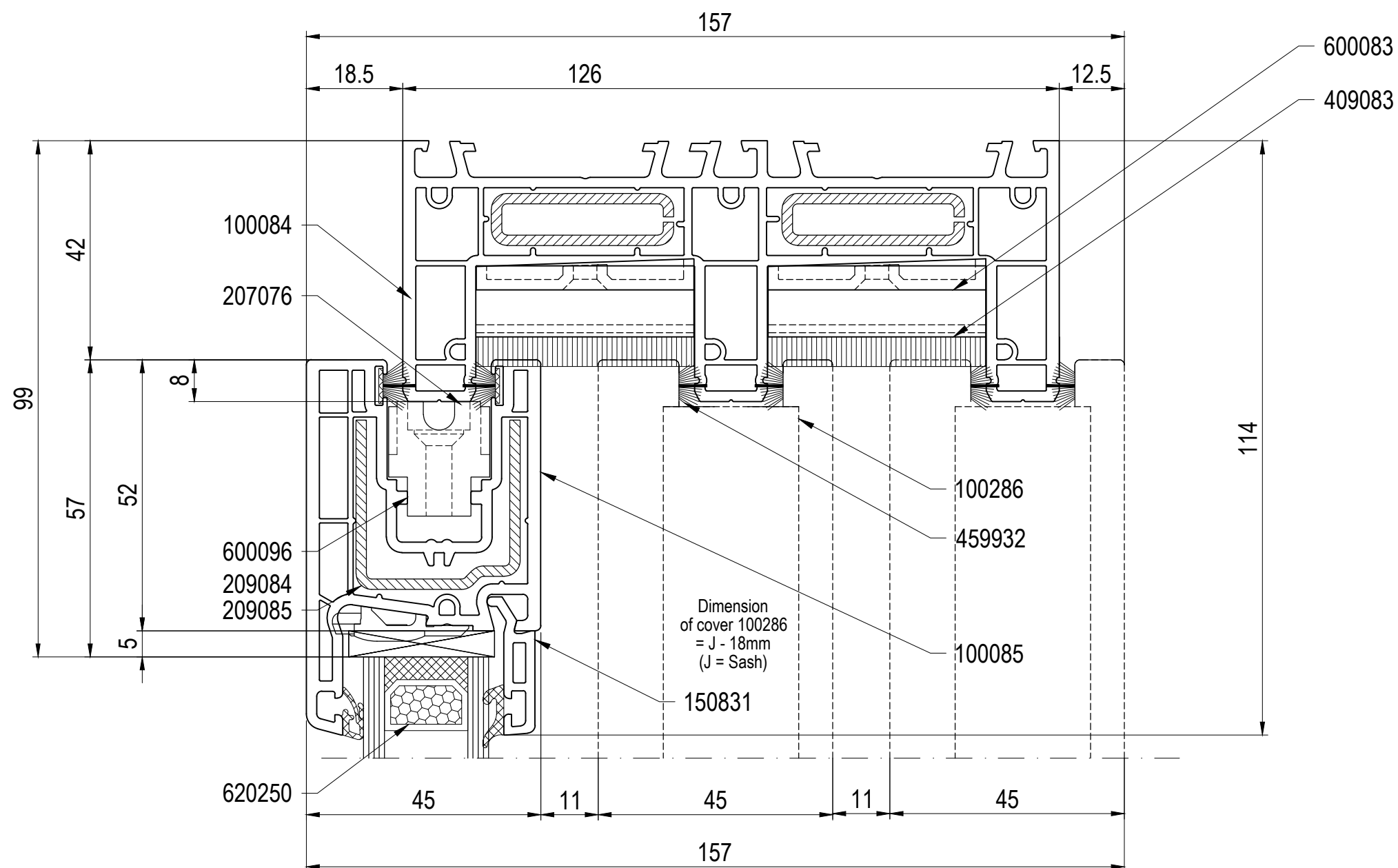
en May be subject to change and errors excepted!

Combinations: Main profiles

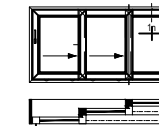
Cross section: Sliding sash, inside

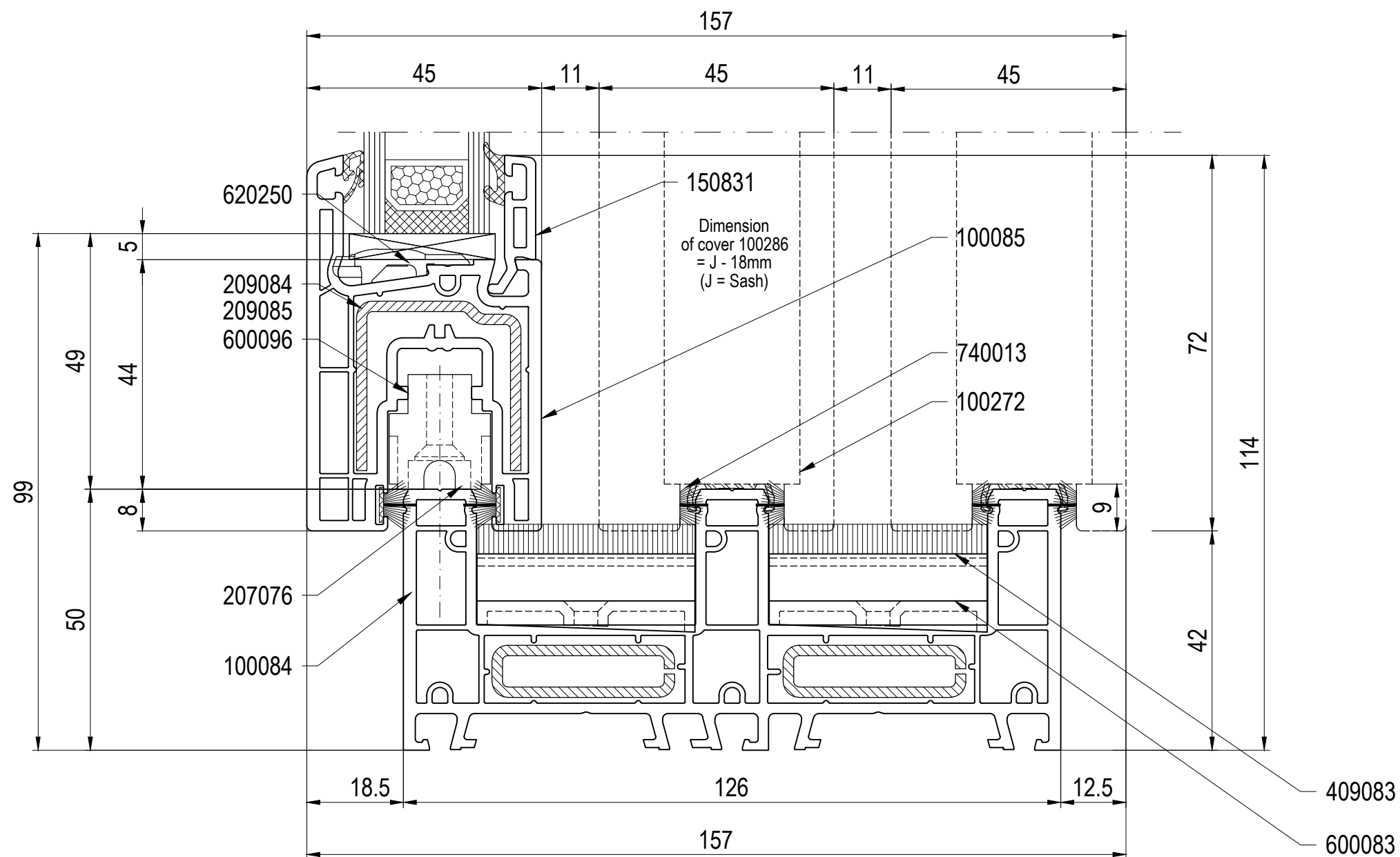
Schema An

Cross section Bn

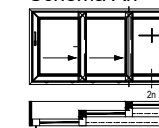


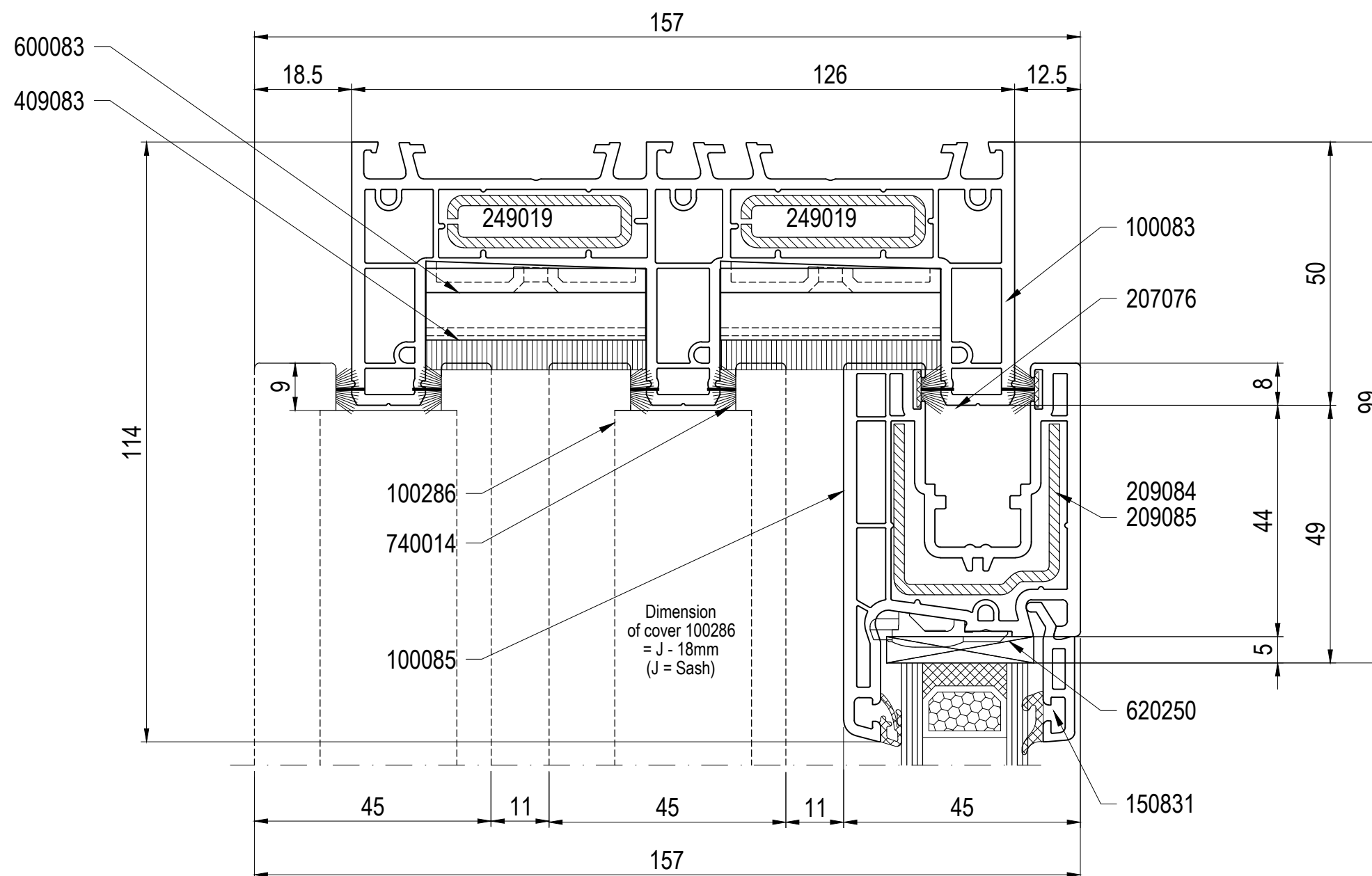
Schema An



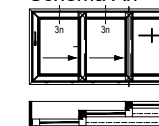


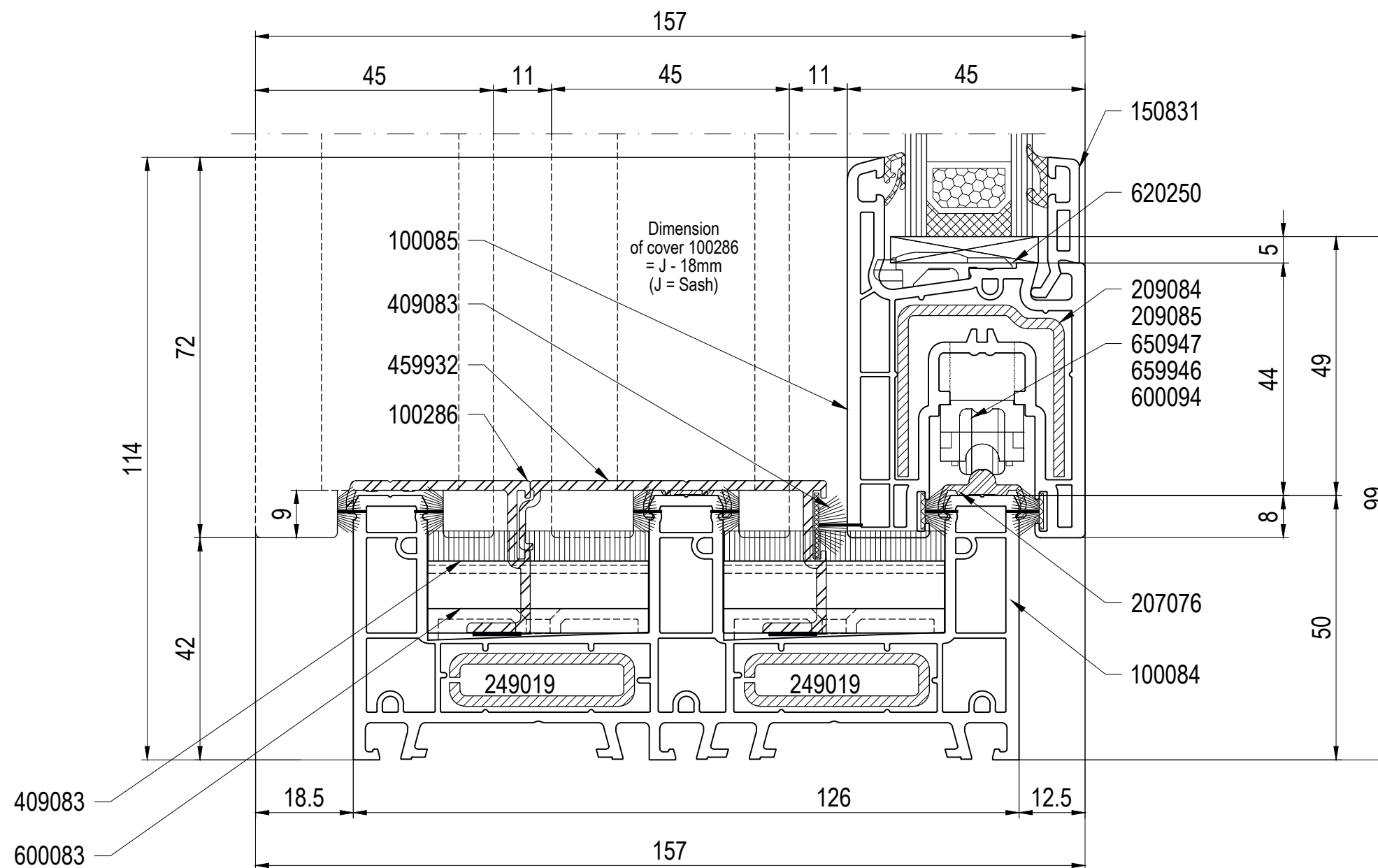
Schema An





Schema An





Schema An

